



DK205 Rhino-Rack VA, Aero, Euro & HD crossbar instruction

IDENTIFICATION CHART



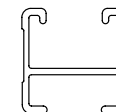
VA crossbar



AERO crossbar



EURO crossbar



HD crossbar

Vehicle	Date	Crossbar	Front					Rear						
			Right Pad/ Clamp	Left Pad/ Clamp	Measurement strip length per side	Measurement strip length per side	Measurement Distance (x)	Foot plate arrow direction	Right Pad/ Clamp	Left Pad/ Clamp	Measurement strip length per side	Measurement strip length per side	Measurement Distance (x)	Foot plate arrow direction
Nissan Murano Z51 5dr SUV <i>(excludes dual panel moonroof)</i>	2009-	1375mm	M435 SUB0255	M436 SUB0255	153mm	98mm	1065mm / 42,13/32"	OUT	M368 SUB0374	M368 SUB0374	125mm	70mm	996mm / 40,5/16"	OUT
			Arrow FORWARD						Arrow OUT					



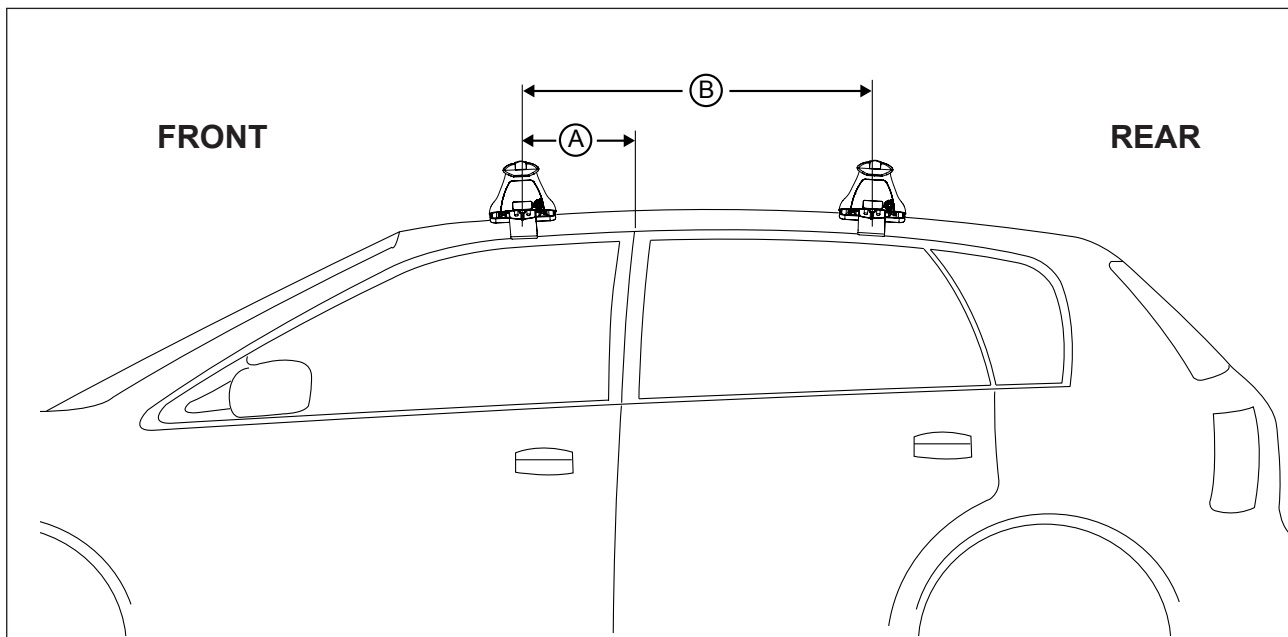
DK205 Rhino-Rack VA, Aero, Euro & HD crossbar instruction

Measurement A: CENTRE of door jamb to CENTRE arrow of leg foot plate.

Measurement B: CENTRE of Front leg foot plate arrow to CENTRE of Rear leg foot plate arrow.

Carrying capacity: Roof rack is rated to 75kg. Please refer to manufacturers handbook for your vehicles maximum roof load capacity. Always use the lower of the two figures.

If your vehicle is not listed on this fitting instruction please refer to your countries Rhino-Rack web site for the latest information.



VEHICLE	Date	Measurement A	Measurement B	Load Rating (includes racks 5kg/ 11lbs)
Nissan Murano Z51 5dr SUV <i>(excludes dual panel moonroof)</i>	2009 on	175mm / 6,57/64"	755mm / 29,23/32"	50kg / 110lbs