



# DK190 Rhino-Rack VA, Aero, Euro & HD crossbar instruction

## IDENTIFICATION CHART



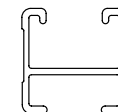
VA crossbar



AERO crossbar



EURO crossbar



HD crossbar

Vehicle	Date	Crossbar	Front					Rear				
			Right Pad/ Clamp	Left Pad/ Clamp	Measurement strip length per side	Measurement strip length per side	Measurement Distance ( x )	Foot plate arrow direction	Right Pad/ Clamp	Left Pad/ Clamp	Measurement strip length per side	Measurement strip length per side
Ford F250 Crew Cab pickup	2008 on	1500mm / 59,1/16"	M367 SUB0258	177mm	122mm	1242mm / 48,57/64"	OUT	M367 SUB0258	177mm	122mm	1242mm / 48,57/64"	OUT
			Arrow FORWARD					Arrow FORWARD				
Ford F350 Crew Cab pickup	2008 on	1500mm / 59,1/16"	M367 SUB0258	177mm	122mm	1242mm / 48,57/64"	OUT	M367 SUB0258	177mm	122mm	1242mm / 48,57/64"	OUT
			Arrow FORWARD					Arrow FORWARD				
Ford F450 Crew Cab pickup	2008 on	1500mm / 59,1/16"	M367 SUB0258	177mm	122mm	1242mm / 48,57/64"	OUT	M367 SUB0258	177mm	122mm	1242mm / 48,57/64"	OUT
			Arrow FORWARD					Arrow FORWARD				



# DK190 Rhino-Rack VA, Aero, Euro & HD crossbar instruction

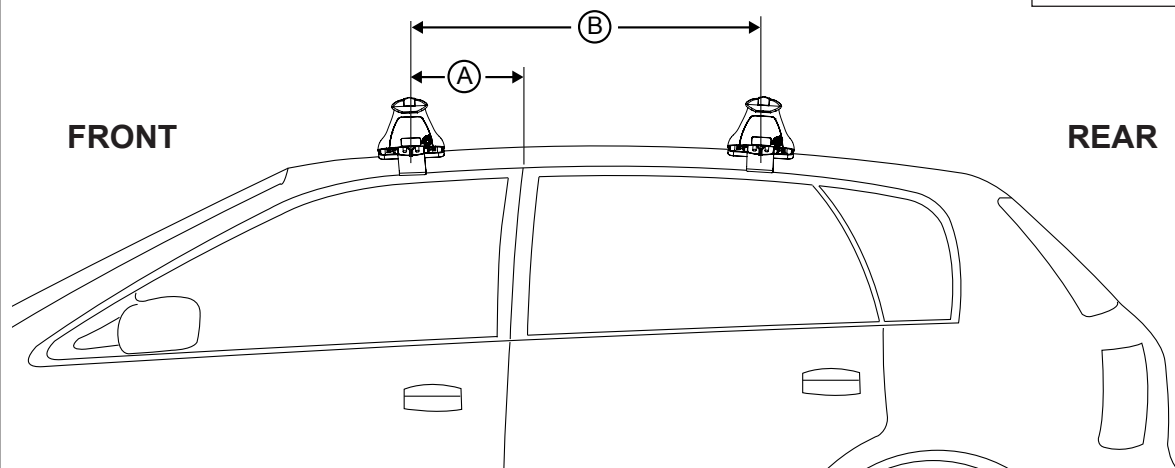
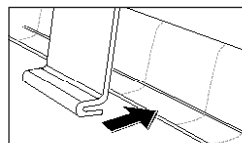
**Measurement A:** CENTRE of door jamb to CENTRE arrow of leg foot plate.

**Measurement B:** CENTRE of Front leg foot plate arrow to CENTRE of Rear leg foot plate arrow.

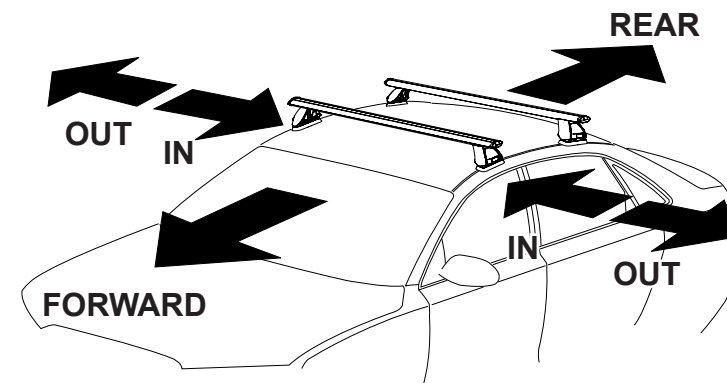
**Carrying capacity:** Roof rack is rated to 75kg. Please refer to manufacturers handbook for your vehicles maximum roof load capacity. Always use the lower of the two figures.

If your vehicle is not listed on this fitting instruction please refer to your countries Rhino-Rack web site for the latest information.

\* Open doors. Pull rubber door seal back. Fit clamp.



## Direction of Pad, Arrow and Foot Plates



VEHICLE	Date	Measurement A	Measurement B	Load Rating (includes racks 5kg/11lbs)
Ford F250 Crew Cab pickup*	2008 on	300mm / 11,13/16"	800mm / 31,1/2"	75kg / 165lbs
Ford F350 Crew Cab pickup*	2008 on	300mm / 11,13/16"	800mm / 31,1/2"	75kg / 165lbs
Ford F450 Crew Cab pickup*	2008 on	300mm / 11,13/16"	800mm / 31,1/2"	75kg / 165lbs