



DK124 Rhino-Rack VA, Aero, Euro & HD crossbar instruction

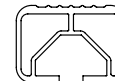
IDENTIFICATION CHART



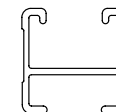
VA crossbar



AERO crossbar



EURO crossbar



HD crossbar

Vehicle	Date	Crossbar	Front					Rear						
			Right Pad/ Clamp	Left Pad/ Clamp	Measurement strip length per side	Measurement strip length per side	Measurement Distance (x)	Foot plate arrow direction	Right Pad/ Clamp	Left Pad/ Clamp	Measurement strip length per side	Measurement strip length per side	Measurement Distance (x)	Foot plate arrow direction
Holden Cap-tiva/Captiva 7 4dr wagon	10/06-	1260mm	M296FR SUB0196	M295FL SUB0196	174mm	61mm	996mm / 39,7/32"	OUT	M298RR SUB0197	M297RL SUB0197	172mm	59mm	992mm / 39,1/16"	OUT
			Arrow OUT						Arrow OUT					
Chevrolet Cap-tiva 4dr wagon	2007-	1260mm	M296FR SUB0196	M295FL SUB0196	174mm	61mm	996mm / 39,7/32"	OUT	M298RR SUB0197	M297RL SUB0197	172mm	59mm	992mm / 39,1/16"	OUT
			Arrow OUT						Arrow OUT					



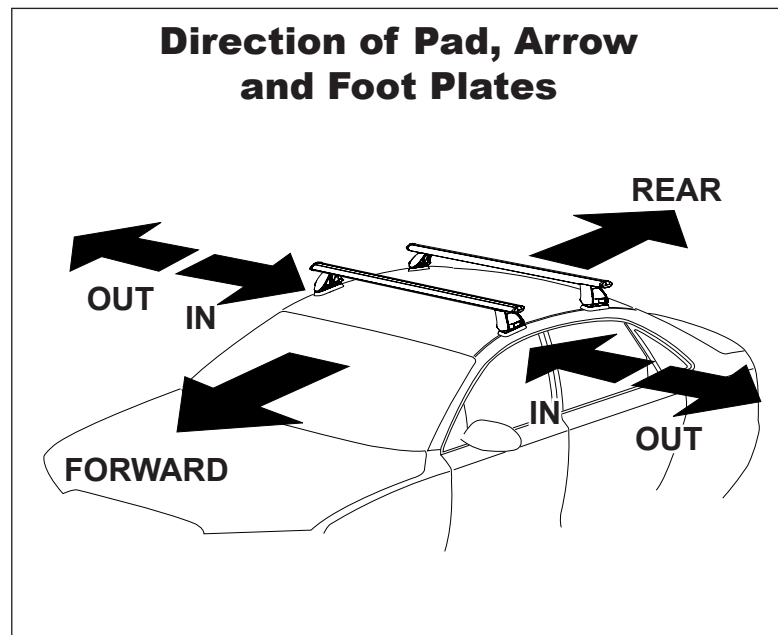
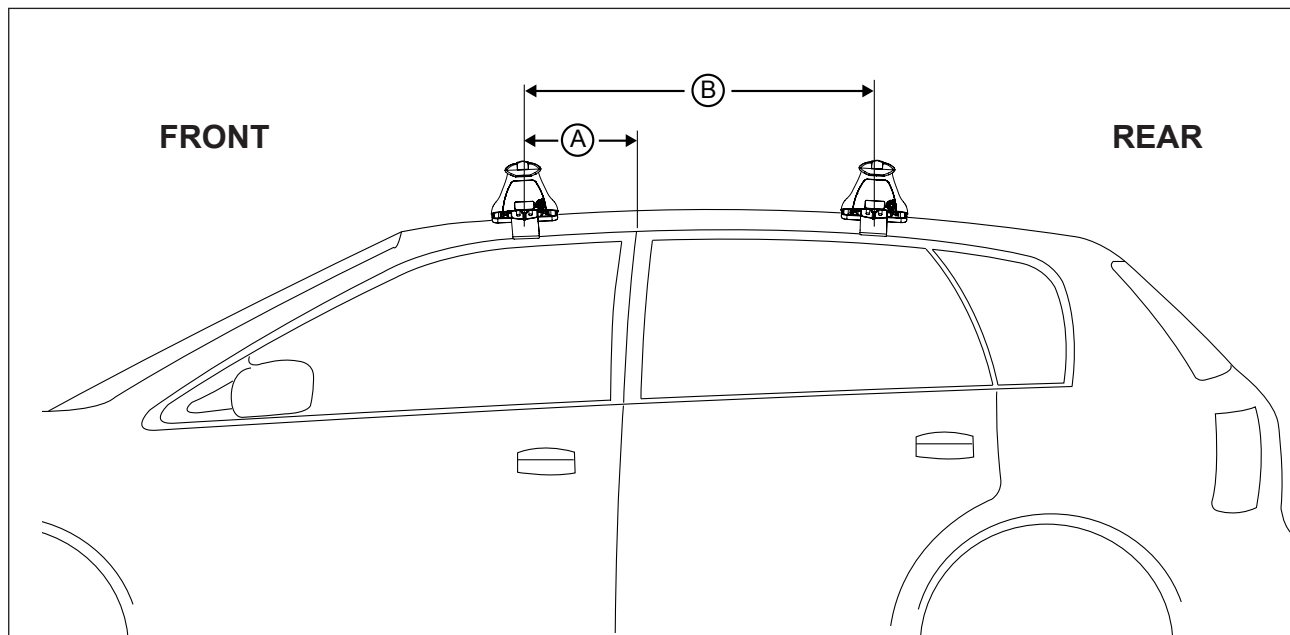
DK124 Rhino-Rack VA, Aero, Euro & HD crossbar instruction

Measurement A: CENTRE of door jamb to CENTRE arrow of leg foot plate.

Measurement B: CENTRE of Front leg foot plate arrow to CENTRE of Rear leg foot plate arrow.

Carrying capacity: Roof rack is rated to 75kg. Please refer to manufacturers handbook for your vehicles maximum roof load capacity. Always use the lower of the two figures.

If your vehicle is not listed on this fitting instruction please refer to your countries Rhino-Rack web site for the latest information.



VEHICLE	Date	Measurement A	Measurement B	Load Rating (includes racks 5kg/ 11lbs)
Holden Captiva/Captiva 7 4dr wagon	10/06-	200mm / 7,7/8"	600mm / 23, 5/8"	50kg / 110lbs
Chevrolet Captiva 4dr wagon	2007-	200mm / 7,7/8"	600mm / 23, 5/8"	50kg / 110lbs



DK124 Rhino-Rack VA, Aero, Euro & HD crossbar instruction

Crossbar	Slot Length on Aero/ Euro	VA formula (based on Euro/ Aero) 300mm slot
DA106 1060mm	187mm	+110mm
DA1180 1180mm	245mm	+55mm
DA1260 1260mm	187mm	+113mm
DA1375 1375mm	245mm	+55mm
DA1500 1500mm	245mm	+55mm