

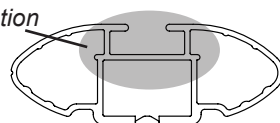


DK121 Rhino-Rack VA, Aero, Euro & HD crossbar instruction

IDENTIFICATION CHART



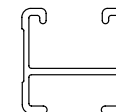
VA crossbar



AERO crossbar



EURO crossbar



HD crossbar

Vehicle	Date	Crossbar	Front					Rear						
			Right Pad/ Clamp	Left Pad/ Clamp	Measurement strip length per side	Measurement strip length per side	Measurement Distance (x)	Foot plate arrow direction	Right Pad/ Clamp	Left Pad/ Clamp	Measurement strip length per side	Measurement strip length per side	Measurement Distance (x)	Foot plate arrow direction
Holden Epica Sedan	04/07 on	1180mm	M365 SUB0145	M365 SUB0145	184mm	129mm	936mm	OUT	M365 SUB0186	M365 SUB0186	177mm	122mm	922mm	OUT
			Arrow FORWARD						Arrow FORWARD					



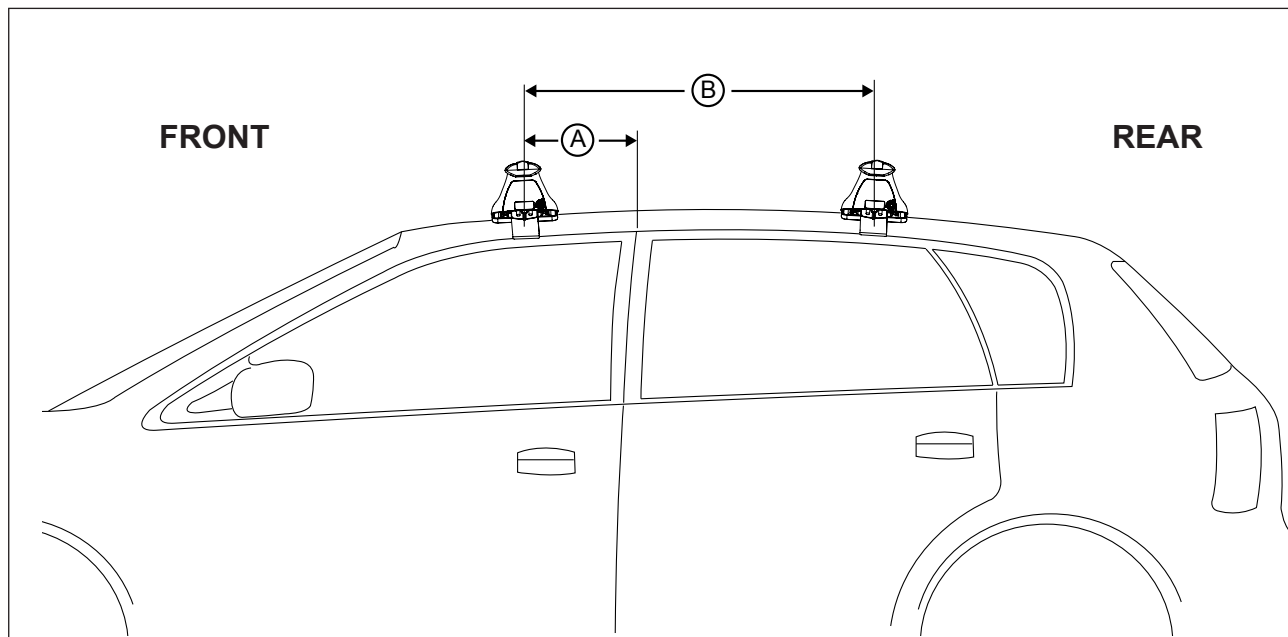
DK121 Rhino-Rack VA, Aero, Euro & HD crossbar instruction

Measurement A: CENTRE of door jamb to CENTRE arrow of leg foot plate.

Measurement B: CENTRE of Front leg foot plate arrow to CENTRE of Rear leg foot plate arrow.

Carrying capacity: Roof rack is rated to 75kg. Please refer to manufacturers handbook for your vehicles maximum roof load capacity. Always use the lower of the two figures.

If your vehicle is not listed on this fitting instruction please refer to your countries Rhino-Rack web site for the latest information.



VEHICLE	Date	Measurement A	Measurement B	Load Rating (includes racks 5kg/11lbs)
Holden Epica Sedan	04/07 on	200mm	700mm	50kg



DK121 Rhino-Rack VA, Aero, Euro & HD crossbar instruction

Crossbar	Slot Length on Aero/ Euro	VA formula (based on Euro/ Aero) 300mm slot
DA106 1060mm	187mm	+110mm
DA1180 1180mm	245mm	+55mm
DA1260 1260mm	187mm	+113mm
DA1375 1375mm	245mm	+55mm
DA1500 1500mm	245mm	+55mm