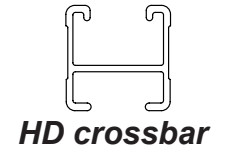
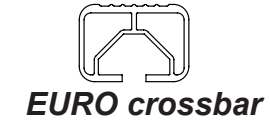
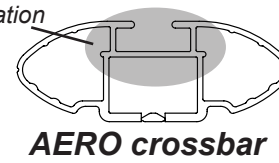
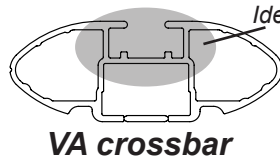




DK113 Rhino-Rack VA, Aero, Euro & HD crossbar instruction

IDENTIFICATION CHART



Vehicle	Date	Crossbar	Front					Rear						
			Right Pad/ Clamp	Left Pad/ Clamp	Measurement strip length per side	Measurement strip length per side	Measurement Distance (x)	Foot plate arrow direction	Right Pad/ Clamp	Left Pad/ Clamp	Measurement strip length per side	Measurement strip length per side	Measurement Distance (x)	Foot plate arrow direction
Subaru Tribeca Wagon	11/06 on	1375mm	M367 SUB0151	M367 SUB0151	178mm	123mm	1119mm	OUT	M366 SUB0186	M366 SUB0186	158mm	103mm	1079mm	OUT
			Arrow FORWARD						Arrow FORWARD					



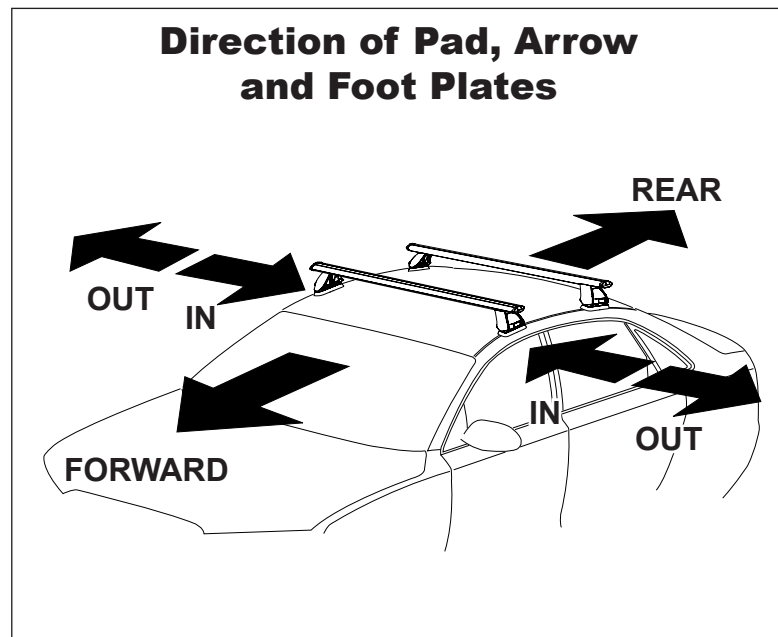
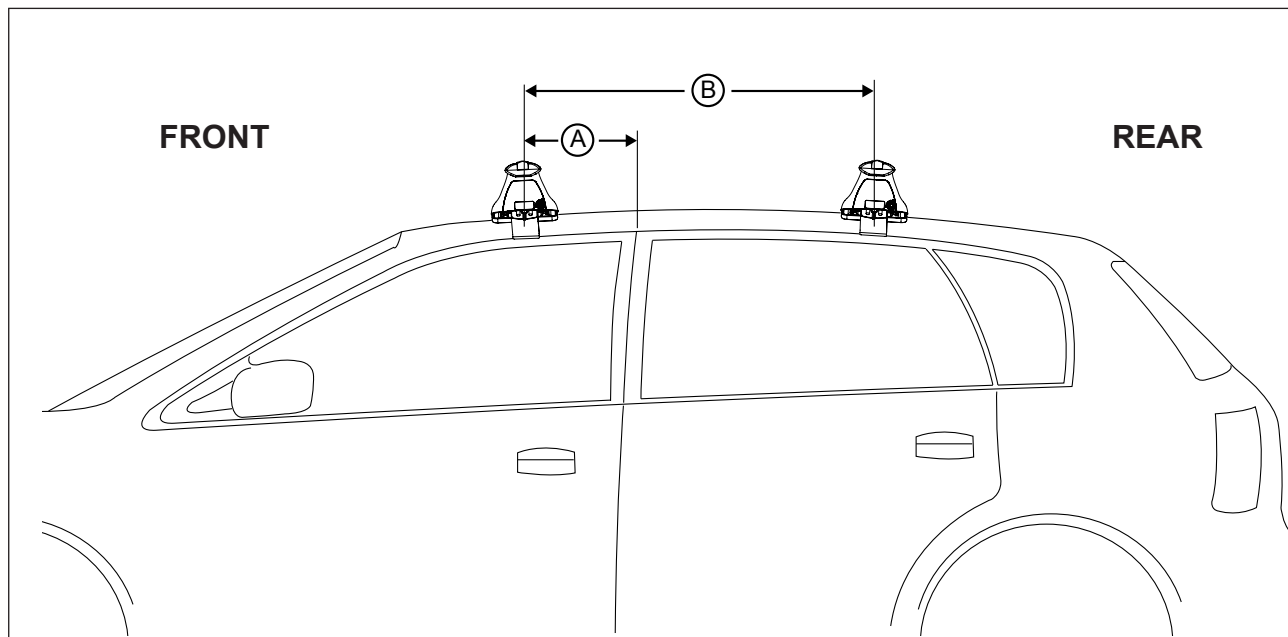
DK113 Rhino-Rack VA, Aero, Euro & HD crossbar instruction

Measurement A: CENTRE of door jamb to CENTRE arrow of leg foot plate.

Measurement B: CENTRE of Front leg foot plate arrow to CENTRE of Rear leg foot plate arrow.

Carrying capacity: Roof rack is rated to 75kg. Please refer to manufacturers handbook for your vehicles maximum roof load capacity. Always use the lower of the two figures.

If your vehicle is not listed on this fitting instruction please refer to your countries Rhino-Rack web site for the latest information.



VEHICLE	Date	Measurement A	Measurement B	Load Rating (includes racks 5kg/11lbs)
Subura Tribeca Wagon	11/06 on	300mm	800mm	65kg



DK113 Rhino-Rack VA, Aero, Euro & HD crossbar instruction

Crossbar	Slot Length on Aero/ Euro	VA formula (based on Euro/ Aero) 300mm slot
DA106 1060mm	187mm	+110mm
DA1180 1180mm	245mm	+55mm
DA1260 1260mm	187mm	+113mm
DA1375 1375mm	245mm	+55mm
DA1500 1500mm	245mm	+55mm