



DK102 Rhino-Rack VA, Aero, Euro & HD crossbar instruction

IDENTIFICATION CHART



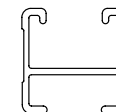
VA crossbar



AERO crossbar



EURO crossbar



HD crossbar

Vehicle	Date	Crossbar	Front					Rear						
			Right Pad/ Clamp	Left Pad/ Clamp	Measurement strip length per side	Measurement strip length per side	Measurement Distance (x)	Foot plate arrow direction	Right Pad/ Clamp	Left Pad/ Clamp	Measurement strip length per side	Measurement strip length per side	Measurement Distance (x)	Foot plate arrow direction
Mercedes-Benz C-Class CL203 2dr coupe	01-08	1180mm			175mm	120mm	918mm / 36,9/64"	OUT			177mm	122mm	922mm / 36,19/64"	OUT
			M366 SUB0176	M367 SUB0150										
Mercedes-Benz CLC-Class 203 2dr coupe	08-11	1180mm	Arrow FORWARD		175mm	120mm	918mm / 36,9/64"	OUT	Arrow FORWARD		177m m	122mm	922mm / 36,19/64"	OUT
			M366 SUB0176	M367 SUB0150										



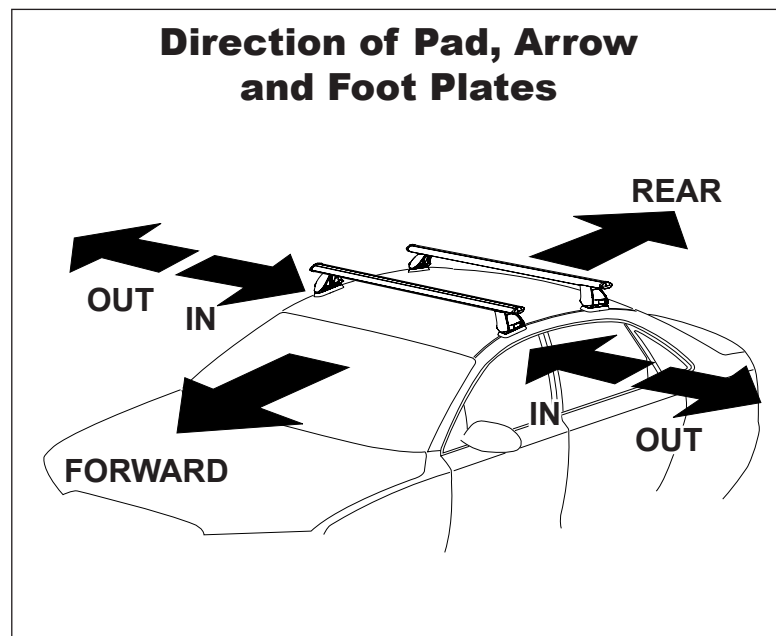
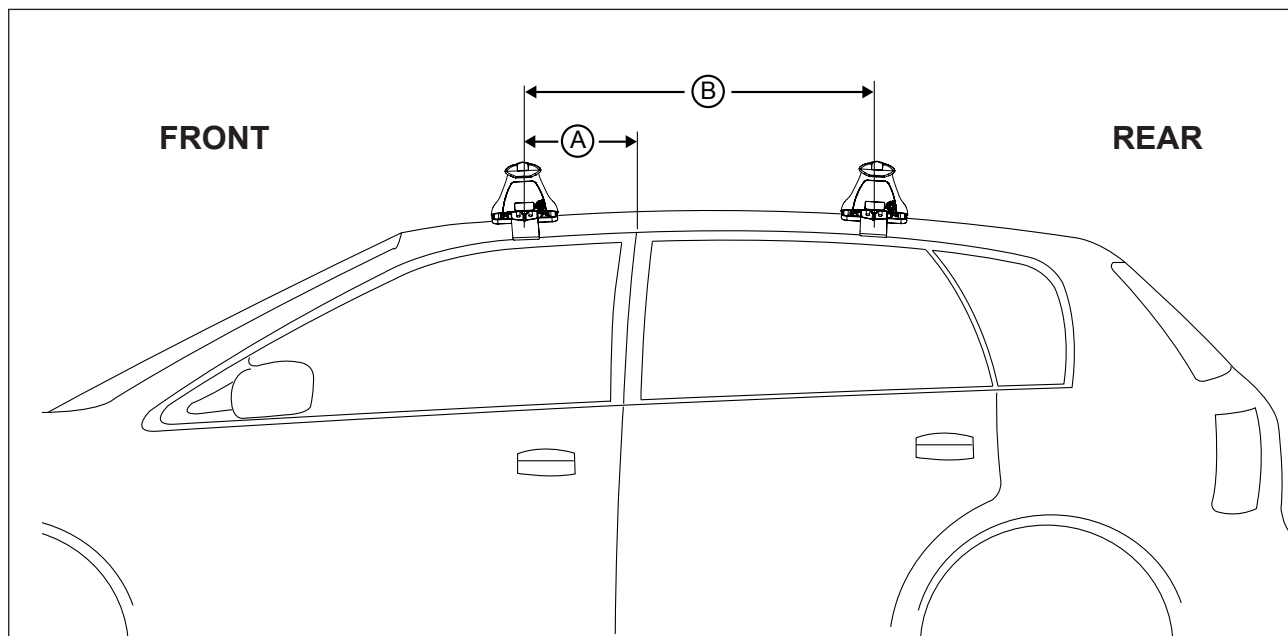
DK102 Rhino-Rack VA, Aero, Euro & HD crossbar instruction

Measurement A: CENTRE of door jamb to CENTRE arrow of leg foot plate.

Measurement B: CENTRE of Front leg foot plate arrow to CENTRE of Rear leg foot plate arrow.

Carrying capacity: Roof rack is rated to 75kg. Please refer to manufacturers handbook for your vehicles maximum roof load capacity. Always use the lower of the two figures.

If your vehicle is not listed on this fitting instruction please refer to your countries Rhino-Rack web site for the latest information.



VEHICLE	Date	Measurement A	Measurement B	Load Rating (includes racks 5kg/ 11lbs)
Mercedes-Benz C-Class CL203 2dr coupe	01-08	400mm / 15,3/4"	560mm / 22,3/64"	75kg / 165lbs
Mercedes-Benz CLC-Class 203 2dr coupe	08-11	400mm / 15,3/4"	560mm / 22,3/64"	75kg / 165lbs