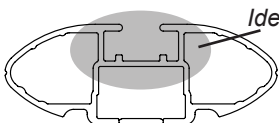


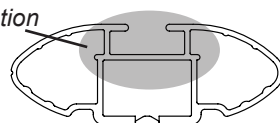


# DK100 Rhino-Rack VA, Aero, Euro & HD crossbar instruction

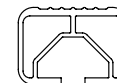
## IDENTIFICATION CHART



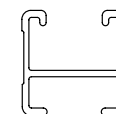
VA crossbar



AERO crossbar



EURO crossbar



HD crossbar

Vehicle	Date	Crossbar	Front					Rear				
			Right Pad/ Clamp	Left Pad/ Clamp	Measurement strip length per side	Measurement strip length per side	Measurement Distance ( x )	Foot plate arrow direction	Right Pad/ Clamp	Left Pad/ Clamp	Measurement strip length per side	Measurement strip length per side
Mercedes C-Class (W203) 4dr sedan	11/2000-06/2007	1180mm / 46,29/64"	M366 SUB0176	198mm	143mm	964mm / 37,61/64"	OUT	M366 SUB0176	197mm	142mm	962mm / 37,7/8"	OUT
			Arrow FORWARD					Arrow FORWARD				
Kia Amanti 4dr Sedan	2004-2009	1260mm / 49,19/32"	M366 SUB0176	186mm	73mm	1020mm / 40,5/32"	OUT	M366 SUB0176	179mm	66mm	1006mm / 39,39/64"	OUT
			Arrow FORWARD					Arrow FORWARD				



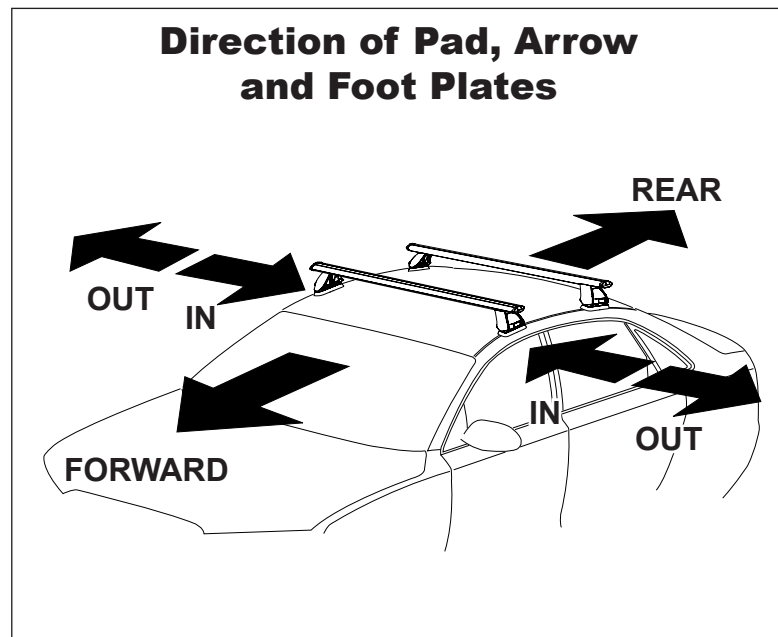
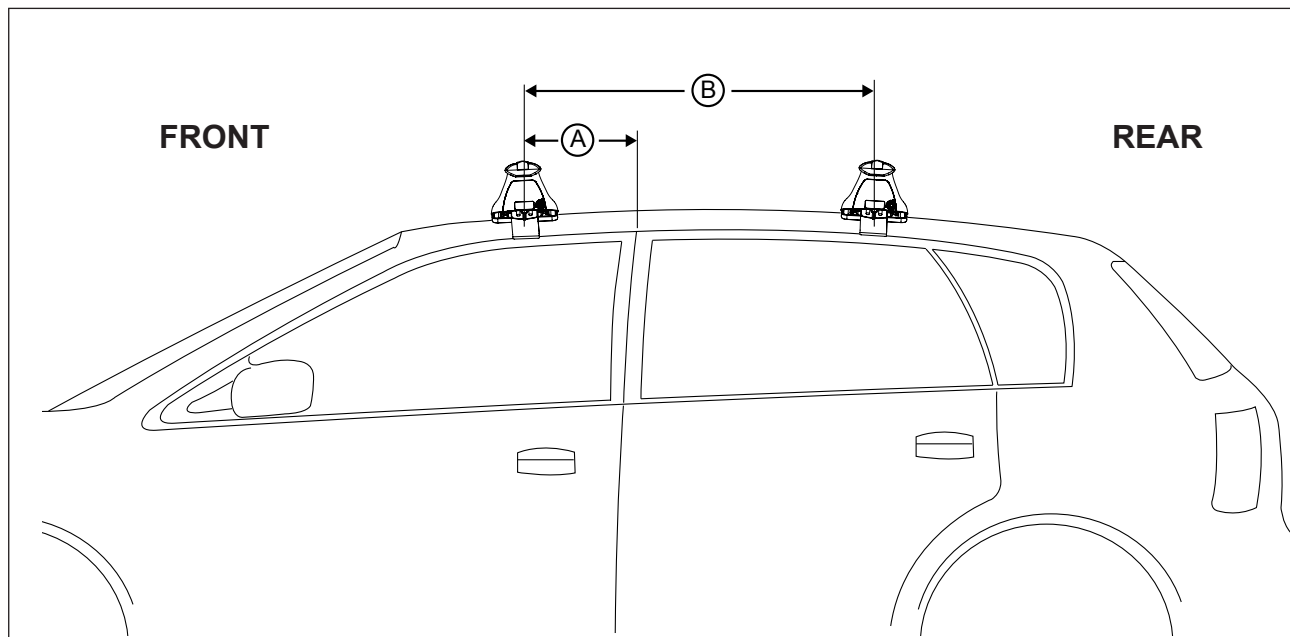
# DK100 Rhino-Rack VA, Aero, Euro & HD crossbar instruction

**Measurement A:** CENTRE of door jamb to CENTRE arrow of leg foot plate.

**Measurement B:** CENTRE of Front leg foot plate arrow to CENTRE of Rear leg foot plate arrow.

**Carrying capacity:** Roof rack is rated to 75kg. Please refer to manufacturers handbook for your vehicles maximum roof load capacity. Always use the lower of the two figures.

If your vehicle is not listed on this fitting instruction please refer to your countries Rhino-Rack web site for the latest information.



VEHICLE	Date	Measurement A	Measurement B	Load Rating (includes racks 5kg/ 11lbs)
Mercedes C-Class (W203) 4dr sedan	11/2000-06/2007	250mm / 9,27/32"	620mm / 24,13/32"	60kg / 132lbs
Kia Amanti 4dr Sedan	2004-2009	230mm / 9,1/16"	700mm / 27,9/16"	50kg / 110lbs