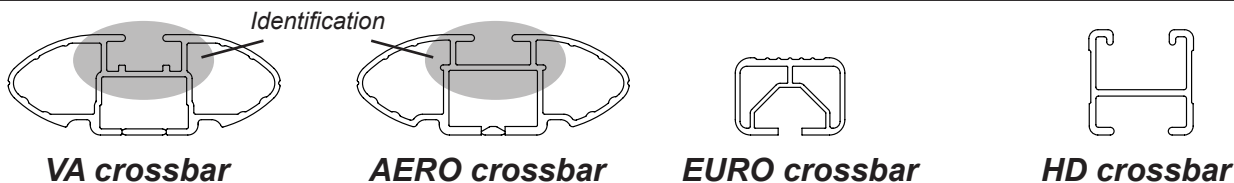




DK088 Rhino-Rack VA, Aero, Euro & HD crossbar instruction

IDENTIFICATION CHART

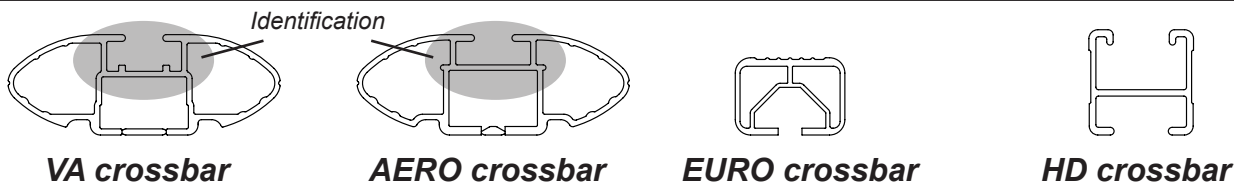


Vehicle	Date	Crossbar	FRONT CROSSBAR					REAR CROSSBAR				
			Front Right Pad/ Clamp	Front Left Pad/ Clamp	Measurement strip length per side	Measurement strip length per side	Measurement Distance (x)	Foot plate arrow direction	Rear Right Pad/ Clamp	Rear Left Pad/ Clamp	Measurement strip length per side	Measurement strip length per side
Mazda Bravo crew cab	02/99-09/05	1260mm	M365 SUB0173	150mm	37mm	948mm / 37,21/64"	OUT	M365 SUB0173	148mm	35mm	944mm / 37,11/64"	OUT
			Arrow FORWARD					Arrow FORWARD				
Mazda Bravo B4000 dual cab	10/05-11/06	1260mm	M365 SUB0173	150mm	37mm	948mm / 37,21/64"	OUT	M365 SUB0173	148mm	35mm	944mm / 37,11/64"	OUT
			Arrow FORWARD					Arrow FORWARD				
Mazda Bravo B4000 free-style cab	10/05-11/06	1260mm	M365 SUB0173	150mm	37mm	948mm / 37,21/64"	OUT	M365 SUB0173	148mm	35mm	944mm / 37,11/64"	OUT
			Arrow FORWARD					Arrow FORWARD				
Mazda BT-50 freestyle cab	11/06-08/08	1260mm	M365 SUB0173	150mm	37mm	948mm / 37,21/64"	OUT	M365 SUB0173	148mm	35mm	944mm / 37,11/64"	OUT
			Arrow FORWARD					Arrow FORWARD				
Mazda BT-50 dual cab	11/06-08/08	1260mm	M365 SUB0173	150mm	37mm	948mm / 37,21/64"	OUT	M365 SUB0173	148mm	35mm	944mm / 37,11/64"	OUT
			Arrow FORWARD					Arrow FORWARD				



DK088 Rhino-Rack VA, Aero, Euro & HD crossbar instruction

IDENTIFICATION CHART

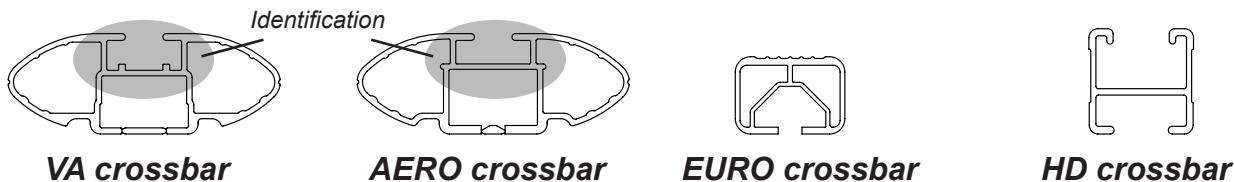


Vehicle	Date	Crossbar	FRONT CROSSBAR					REAR CROSSBAR					
			Front Right Pad/ Clamp	Front Left Pad/ Clamp	Measurement strip length per side	Measurement strip length per side	Measurement Distance (x)	Foot plate arrow direction	Rear Right Pad/ Clamp	Rear Left Pad/ Clamp	Measurement strip length per side	Measurement strip length per side	Measurement Distance (x)
Mazda BT-50 single cab	11/06-08/08	1260mm	M365 SUB0173	150mm	37mm	948mm / 37,21/64"	OUT	N/A	N/A	N/A	N/A	N/A	N/A
			Arrow FORWARD					N/A					
Mazda BT50/ B3000 free-style cab	09/08-10/11	1260mm	M365 SUB0173	149mm	36mm	946mm / 37,1/4"	OUT	M365 SUB0173	147mm	34mm	942mm / 37,3/32"	OUT	
			Arrow FORWARD										
Ford Courier PE/PG crew cab	02/99-09/05	1260mm	M365 SUB0173	150mm	37mm	948mm / 37,21/64"	OUT	M365 SUB0173	148mm	35mm	944mm / 37,11/64"	OUT	
			Arrow FORWARD										
Ford Courier dual cab	10/05-11/06	1260mm	M365 SUB0173	150mm	37mm	948mm / 37,21/64"	OUT	M365 SUB0173	148mm	35mm	944mm / 37,11/64"	OUT	
			Arrow FORWARD										
Ford Courier freestyle cab	10/05-11/06	1260mm	M365 SUB0173	150mm	37mm	948mm / 37,21/64"	OUT	M365 SUB0173	148mm	35mm	944mm / 37,11/64"	OUT	
			Arrow FORWARD										



DK088 Rhino-Rack VA, Aero, Euro & HD crossbar instruction

IDENTIFICATION CHART



Vehicle	Date	Crossbar	FRONT CROSSBAR					REAR CROSSBAR				
			Front Right Pad/ Clamp	Front Left Pad/ Clamp	Measurement strip length per side	Measurement strip length per side	Measurement Distance (x)	Foot plate arrow direction	Rear Right Pad/ Clamp	Rear Left Pad/ Clamp	Measurement strip length per side	Measurement strip length per side
Ford Ranger freestyle cab	11/06-03/09	1260mm	M365 SUB0173	150mm	37mm	948mm / 37,21/64"	OUT	M365 SUB0173	148mm	35mm	944mm / 37,11/64"	OUT
			Arrow FORWARD					Arrow FORWARD				
Ford Ranger dual cab	11/06-03/09	1260mm	M365 SUB0173	150mm	37mm	948mm / 37,21/64"	OUT	M365 SUB0173	148mm	35mm	944mm / 37,11/64"	OUT
			Arrow FORWARD					Arrow FORWARD				
Ford Ranger single cab	11/06-03/09	1260mm	M365 SUB0173	150mm	37mm	948mm / 37,21/64"	OUT	N/A	N/A	N/A	N/A	N/A
			Arrow FORWARD					N/A				
Ford Ranger PK super cab	04/09-08/11	1260mm	M365 SUB0173	149mm	36mm	946mm / 37,1/4"	OUT	M365 SUB0173	147mm	34mm	942mm / 37,3/32"	OUT
			Arrow FORWARD					Arrow FORWARD				



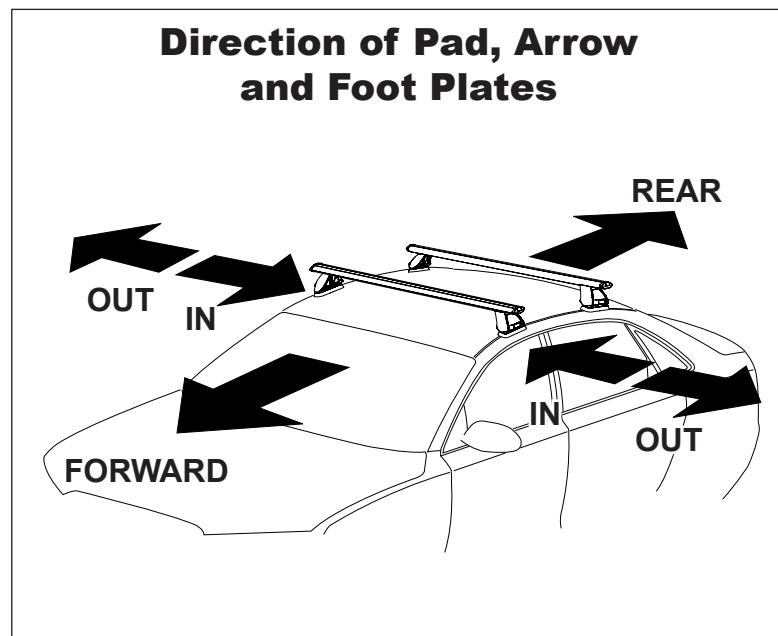
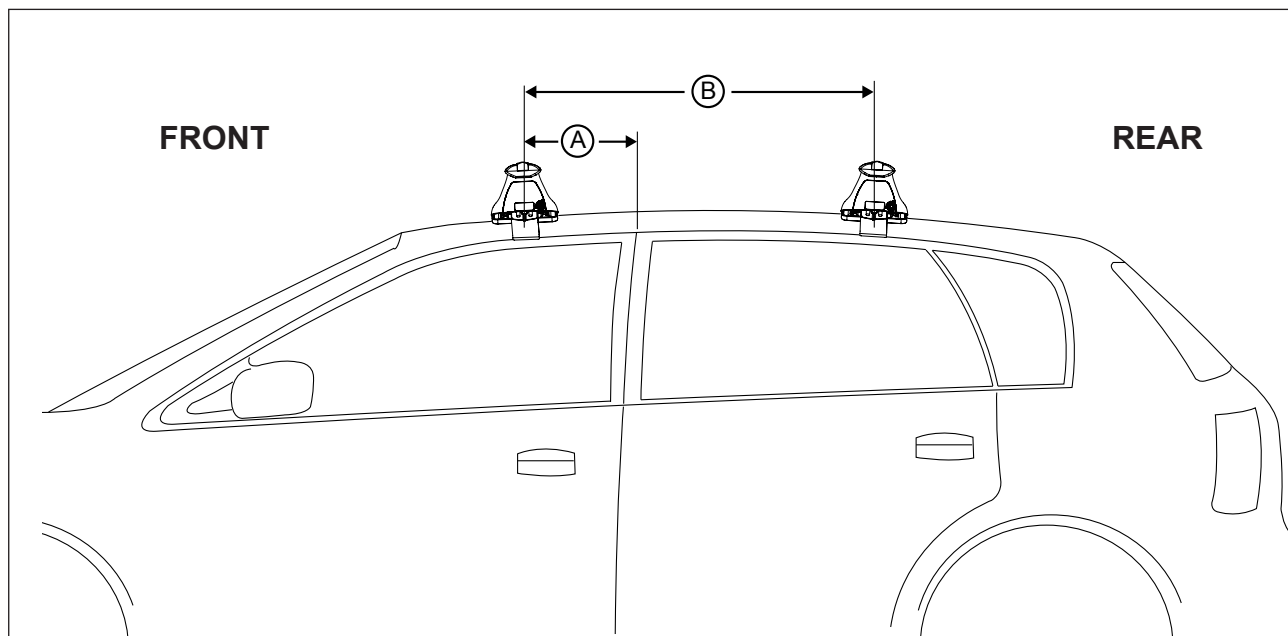
DK088 Rhino-Rack VA, Aero, Euro & HD crossbar instruction

Measurement A: CENTRE of door jamb to CENTRE arrow of leg foot plate.

Measurement B: CENTRE of Front leg foot plate arrow to CENTRE of Rear leg foot plate arrow.

Carrying capacity: Roof rack is rated to 75kg. Please refer to manufacturers handbook for your vehicles maximum roof load capacity. Always use the lower of the two figures.

If your vehicle is not listed on this fitting instruction please refer to your countries Rhino-Rack web site for the latest information.



VEHICLE	Date	Measurement A	Measurement B	Load Rating (includes racks 5kg/ 11lbs)
Mazda Bravo crew cab	02/99-09/05	300mm / 11,13/16"	800mm / 31,1/2"	50kg / 110lbs
Mazda Bravo B4000 dual cab	10/05-11/06	300mm / 11,13/16"	800mm / 31,1/2"	50kg / 110lbs
Mazda Bravo B4000 freestyle cab	10/05-11/06	300mm / 11,13/16"	700mm / 27,9/16"	50kg / 110lbs
Mazda BT-50 freestyle cab	11/06-08/08	300mm / 11,13/16"	700mm / 27,9/16"	50kg / 110lbs
Mazda BT-50 dual cab	11/06-08/08	300mm / 11,13/16"	800mm / 31,1/2"	50kg / 110lbs
Mazda BT-50 single cab	11/06-08/08	300mm / 11,13/16"	N/A	25kg / 55lbs



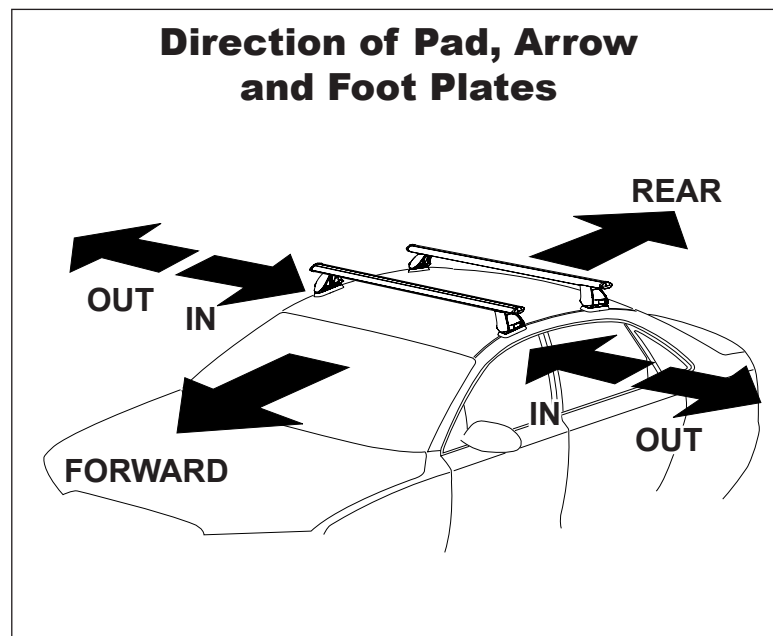
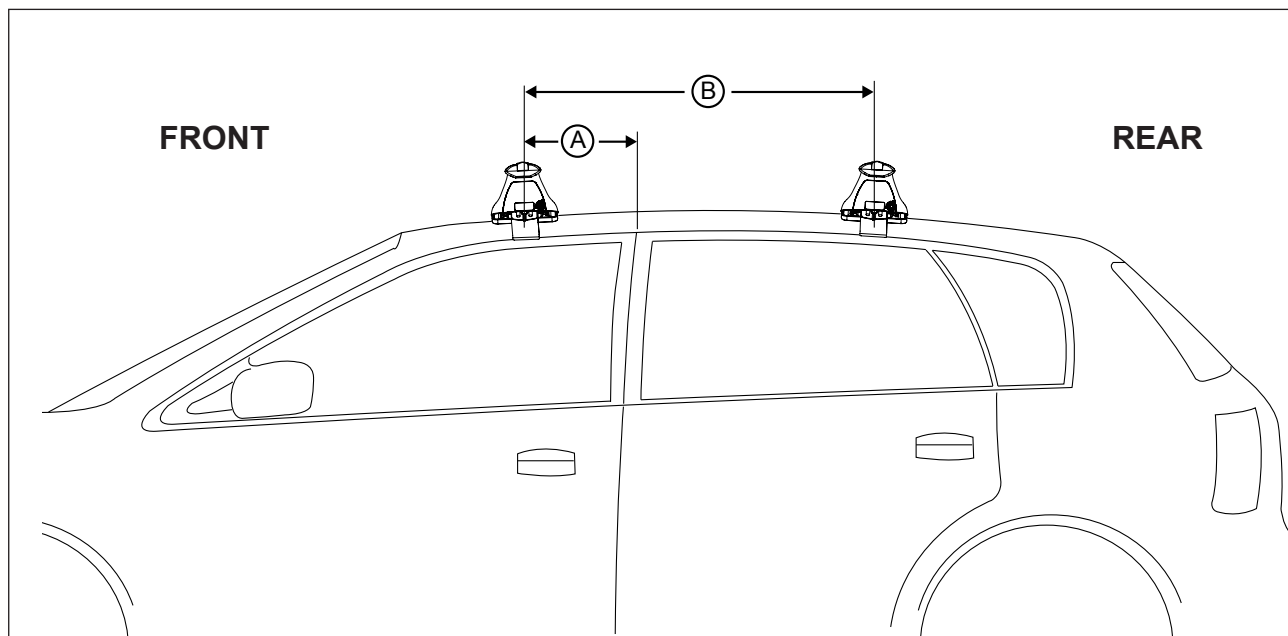
DK088 Rhino-Rack VA, Aero, Euro & HD crossbar instruction

Measurement A: CENTRE of door jamb to CENTRE arrow of leg foot plate.

Measurement B: CENTRE of Front leg foot plate arrow to CENTRE of Rear leg foot plate arrow.

Carrying capacity: Roof rack is rated to 75kg. Please refer to manufacturers handbook for your vehicles maximum roof load capacity. Always use the lower of the two figures.

If your vehicle is not listed on this fitting instruction please refer to your countries Rhino-Rack web site for the latest information.



VEHICLE	Date	Measurement A	Measurement B	Load Rating (includes racks 5kg/11lbs)
Mazda BT50/B3000 freestyle cab	09/08-10/11	310mm / 12,13/64"	700mm / 27,9/16"	50kg / 110lbs
Ford Courier PE/PG crew cab	02/99-09/05	300mm / 11,13/16"	800mm / 31,1/2"	50kg / 110lbs
Ford Courier dual cab	10/05-11/06	300mm / 11,13/16"	800mm / 31,1/2"	50kg / 110lbs
Ford Courier freestyle cab	10/05-11/06	300mm / 11,13/16"	700mm / 27,9/16"	50kg / 110lbs
Ford Ranger freestyle cab	11/06-03/09	300mm / 11,13/16"	700mm / 27,9/16"	50kg / 110lbs
Ford Ranger dual cab	11/06-03/09	300mm / 11,13/16"	800mm / 31,1/2"	50kg / 110lbs



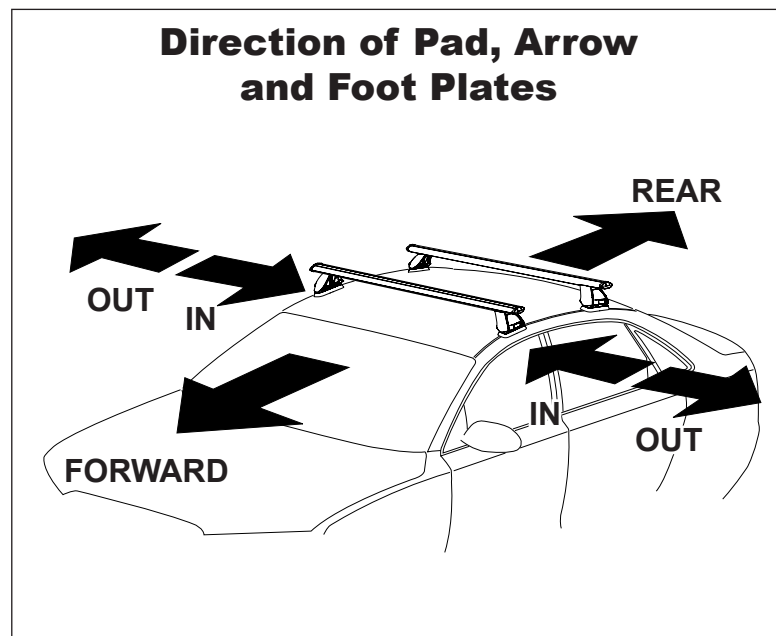
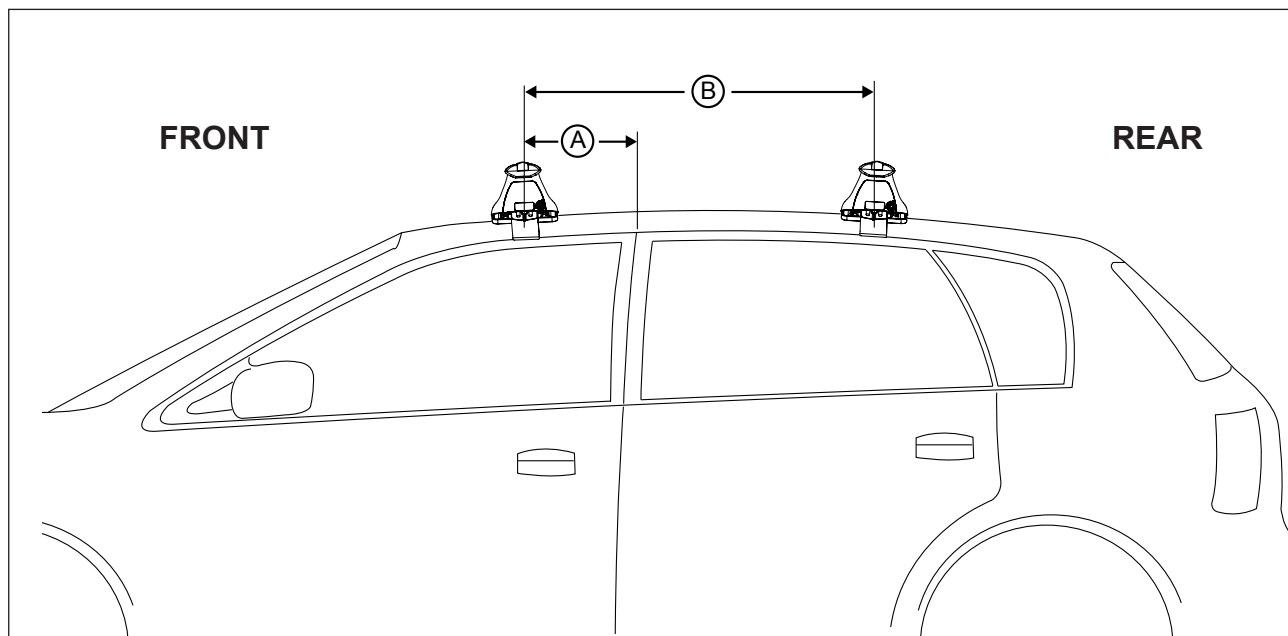
DK088 Rhino-Rack VA, Aero, Euro & HD crossbar instruction

Measurement A: CENTRE of door jamb to CENTRE arrow of leg foot plate.

Measurement B: CENTRE of Front leg foot plate arrow to CENTRE of Rear leg foot plate arrow.

Carrying capacity: Roof rack is rated to 75kg. Please refer to manufacturers handbook for your vehicles maximum roof load capacity. Always use the lower of the two figures.

If your vehicle is not listed on this fitting instruction please refer to your countries Rhino-Rack web site for the latest information.



VEHICLE	Date	Measurement A	Measurement B	Load Rating (includes racks 5kg/ 11lbs)
Ford Ranger single cab	11/06-03/09	300mm / 11,13/16"	N/A	25kg / 55lbs
Ford Ranger PK super cab	04/09-08/11	310mm / 12,13/64"	700mm / 27,9/16"	50kg / 110lbs