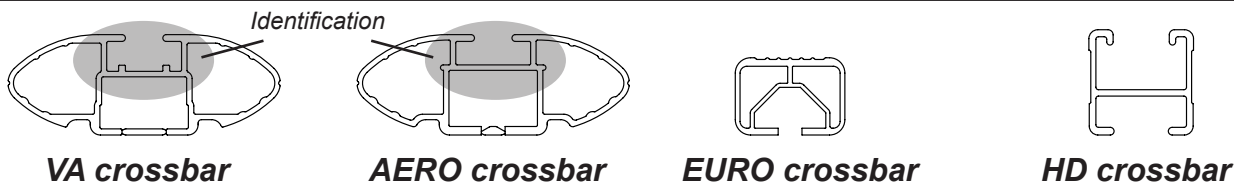




DK082 Rhino-Rack VA, Aero, Euro & HD crossbar instruction

IDENTIFICATION CHART



Vehicle	Date	Crossbar	FRONT CROSSBAR					REAR CROSSBAR				
			Front Right Pad/ Clamp	Front Left Pad/ Clamp	Measurement strip length per side	Measurement strip length per side	Measurement Distance (x)	Foot plate arrow direction	Rear Right Pad/ Clamp	Rear Left Pad/ Clamp	Measurement strip length per side	Measurement strip length per side
Subaru Liberty BL/BP 4dr sedan	2004-2009	1180mm	M366 SUB0170	209mm	154mm	986mm / 38,13/16"	OUT	M366 SUB0170	199mm	144mm	966mm / 38,1/32"	OUT
			Arrow FORWARD					Arrow FORWARD				
Subaru Legacy BL/BP 4dr sedan	2004-2009	1180mm	M366 SUB0170	209mm	154mm	986mm / 38,13/16"	OUT	M366 SUB0170	199mm	144mm	966mm / 38,1/32"	OUT
			Arrow FORWARD					Arrow FORWARD				
Mitsubishi Eclipse 2dr coupe	2006 on	1260mm	M366 SUB0170	214mm	101mm	1076mm / 42,23/64"	OUT	M366 SUB0170	220mm	107mm	1088mm / 42,53/64"	OUT
			Arrow FORWARD					Arrow FORWARD				



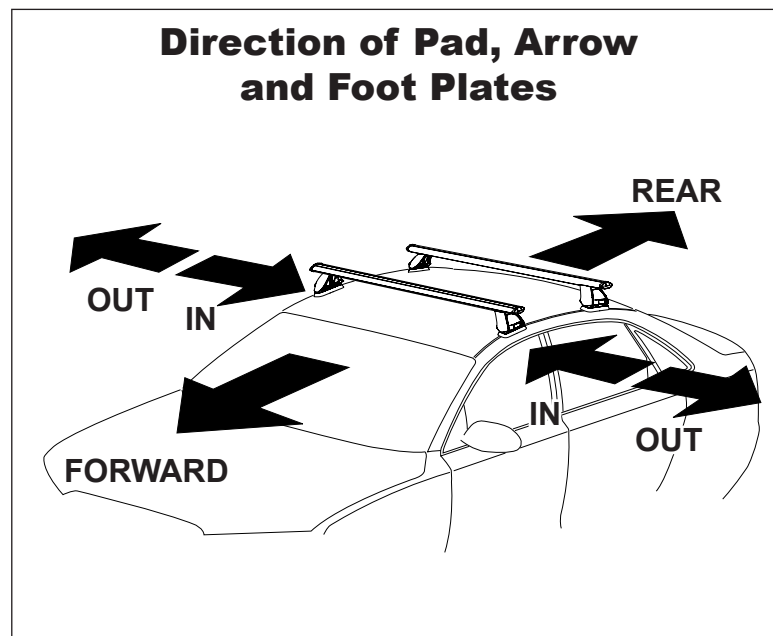
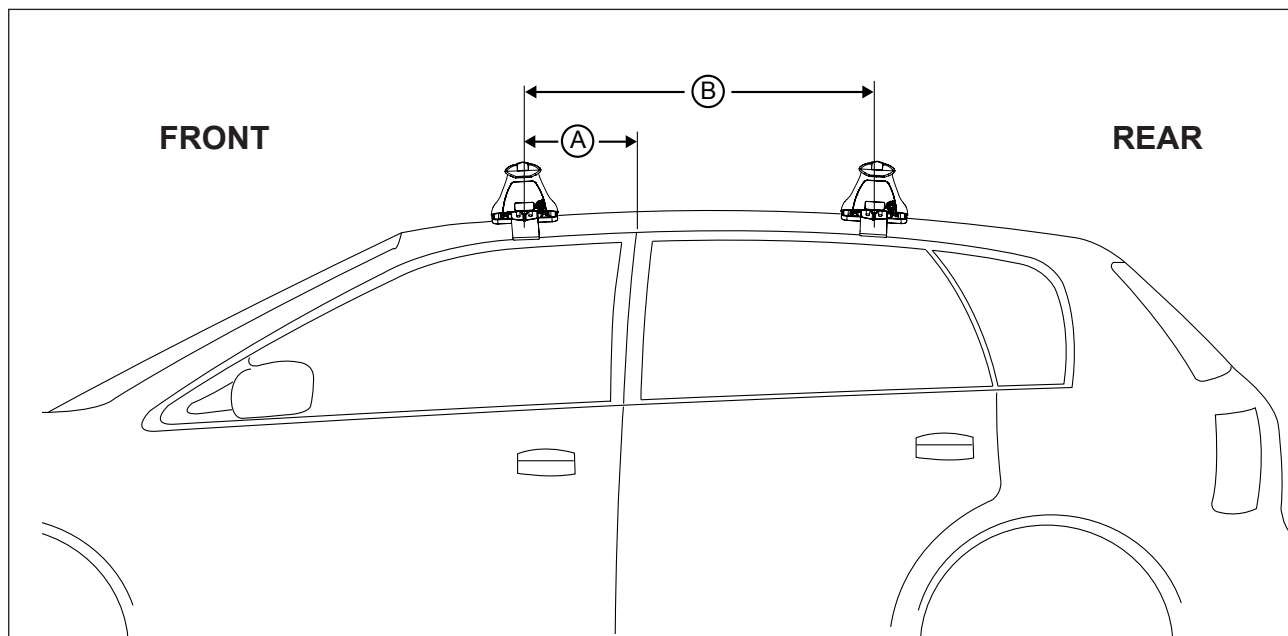
DK082 Rhino-Rack VA, Aero, Euro & HD crossbar instruction

Measurement A: CENTRE of door jamb to CENTRE arrow of leg foot plate.

Measurement B: CENTRE of Front leg foot plate arrow to CENTRE of Rear leg foot plate arrow.

Carrying capacity: Roof rack is rated to 75kg. Please refer to manufacturers handbook for your vehicles maximum roof load capacity. Always use the lower of the two figures.

If your vehicle is not listed on this fitting instruction please refer to your countries Rhino-Rack web site for the latest information.



VEHICLE	Date	Measurement A	Measurement B	Load Rating (includes racks 5kg/11lbs)
Subaru Liberty BL/BP 4dr Sedan	2004-2009	250mm / 9,27/32"	700mm / 27,9/16"	75kg / 165lbs
Subaru Legacy BL/BP 4dr Sedan	2004-2009	250mm / 9,27/32"	700mm / 27,9/16"	75kg / 165lbs
Mitsubishi Eclipse 2dr coupe	2006 on	560mm / 22,3/64"	490mm / 19,19/64"	30kg / 66lbs