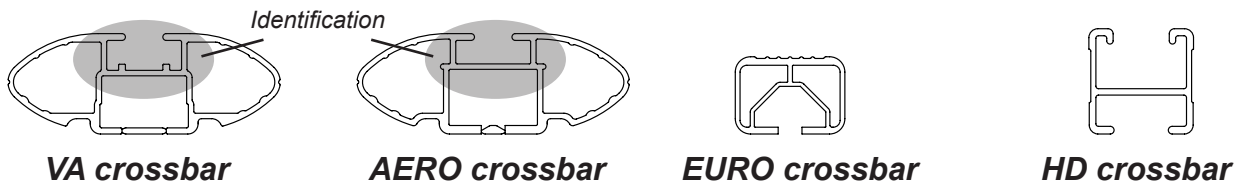




# DK070 Rhino-Rack VA, Aero, Euro & HD crossbar instruction

## IDENTIFICATION CHART



		FRONT CROSSBAR						REAR CROSSBAR						
					 AERO  EURO						 AERO  EURO			
Vehicle	Date	Crossbar	Front Right Pad/Clamp	Front Left Pad/Clamp	Measurement strip length per side	Measurement strip length per side	Measurement Distance ( x )	Foot plate arrow direction	Rear Right Pad/Clamp	Rear Left Pad/Clamp	Measurement strip length per side	Measurement strip length per side	Measurement Distance ( x )	Foot plate arrow direction
Subaru Impreza Sedan	10/00 on	1180mm	M366 SUB0167		202mm	147mm	972mm	OUT	M366 SUB0167		187mm	132mm	942mm	OUT
			Arrow FORWARD						Arrow FORWARD					



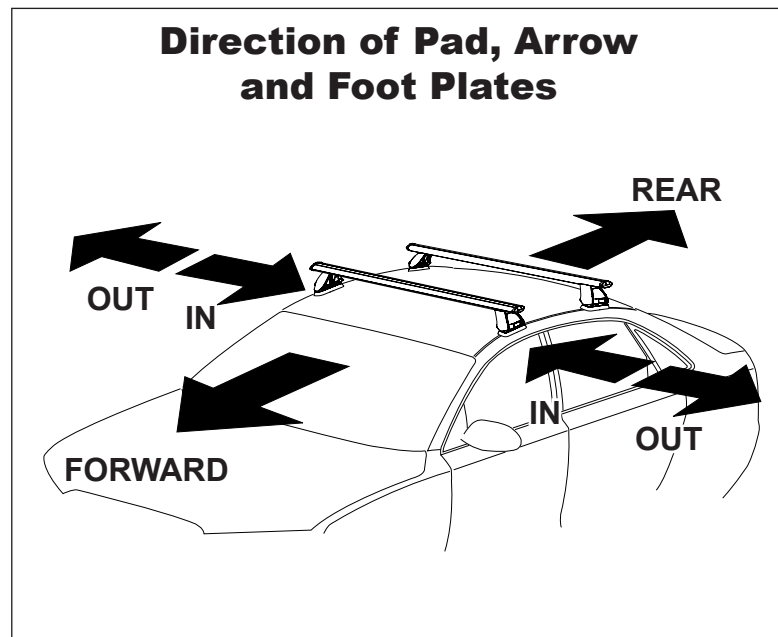
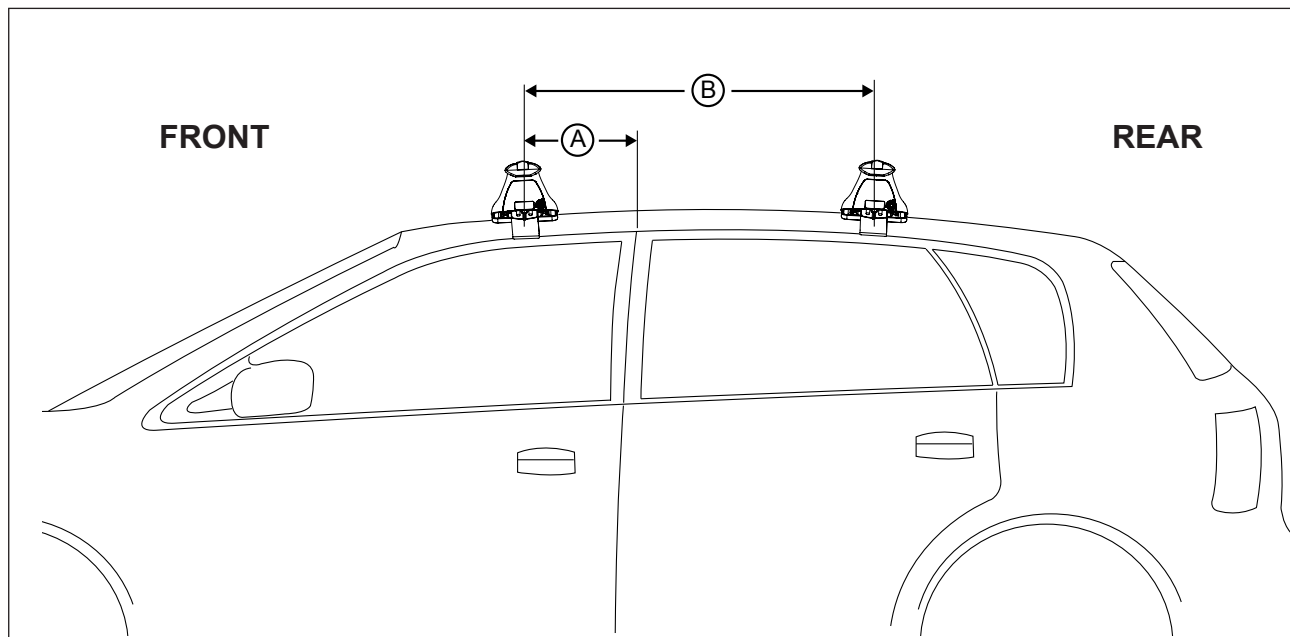
# DK070 Rhino-Rack VA, Aero, Euro & HD crossbar instruction

**Measurement A:** CENTRE of door jamb to CENTRE arrow of leg foot plate.

**Measurement B:** CENTRE of Front leg foot plate arrow to CENTRE of Rear leg foot plate arrow.

**Carrying capacity:** Roof rack is rated to 75kg. Please refer to manufacturers handbook for your vehicles maximum roof load capacity. Always use the lower of the two figures.

If your vehicle is not listed on this fitting instruction please refer to your countries Rhino-Rack web site for the latest information.



VEHICLE	Date	Measurement A	Measurement B	Load Rating (includes racks 5kg/ 11lbs)
Subaru Impreza Sedan	10/00 on	300mm	600mm	75kg / 165lbs



## DK070 Rhino-Rack VA, Aero, Euro & HD crossbar instruction

Crossbar	Slot Length on Aero/ Euro	VA formula (based on Euro/ Aero) 300mm slot
DA106 1060mm	187mm	+110mm
DA1180 1180mm	245mm	+55mm
DA1260 1260mm	187mm	+113mm
DA1375 1375mm	245mm	+55mm
DA1500 1500mm	245mm	+55mm