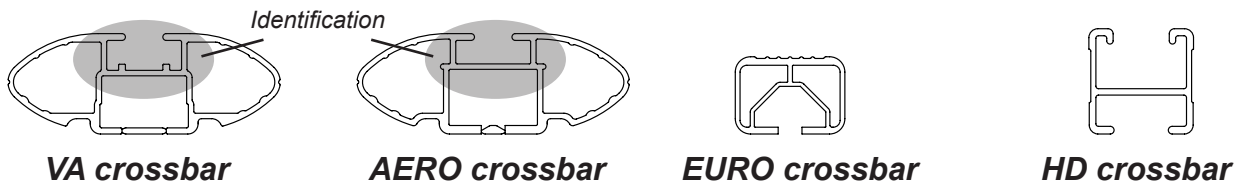




# DK063 Rhino-Rack VA, Aero, Euro & HD crossbar instruction

## IDENTIFICATION CHART



		FRONT CROSSBAR						REAR CROSSBAR						
					 AERO  EURO						 AERO  EURO			
Vehicle	Date	Crossbar	Front Right Pad/Clamp	Front Left Pad/Clamp	Measurement strip length per side	Measurement strip length per side	Measurement Distance ( x )	Foot plate arrow direction	Rear Right Pad/Clamp	Rear Left Pad/Clamp	Measurement strip length per side	Measurement strip length per side	Measurement Distance ( x )	Foot plate arrow direction
Ford Laser Liata Hatch	10/94-03/99	1180mm	M367	SUB0149	175mm	120mm	918mm	OUT	M367	SUB0149	182mm	127mm	932mm	OUT
			Arrow FORWARD						Arrow FORWARD					



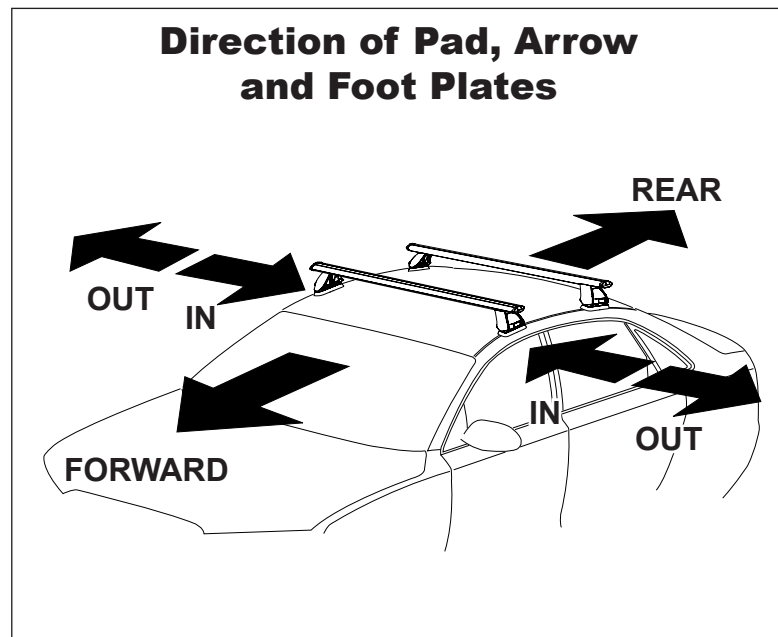
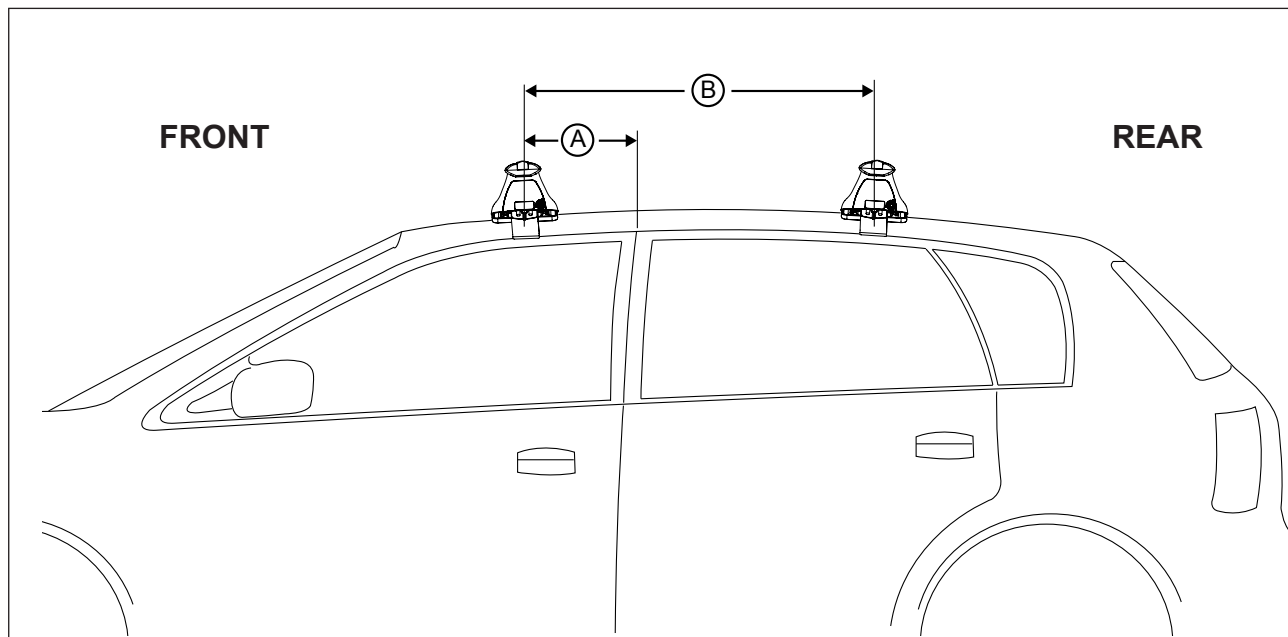
# DK063 Rhino-Rack VA, Aero, Euro & HD crossbar instruction

**Measurement A:** CENTRE of door jamb to CENTRE arrow of leg foot plate.

**Measurement B:** CENTRE of Front leg foot plate arrow to CENTRE of Rear leg foot plate arrow.

**Carrying capacity:** Roof rack is rated to 75kg. Please refer to manufacturers handbook for your vehicles maximum roof load capacity. Always use the lower of the two figures.

If your vehicle is not listed on this fitting instruction please refer to your countries Rhino-Rack web site for the latest information.



VEHICLE	Date	Measurement A	Measurement B	Load Rating (includes racks 5kg/11lbs)
Ford Laser Liata Hatch	10/94-03/99	300mm	600mm	75kg / 165lbs