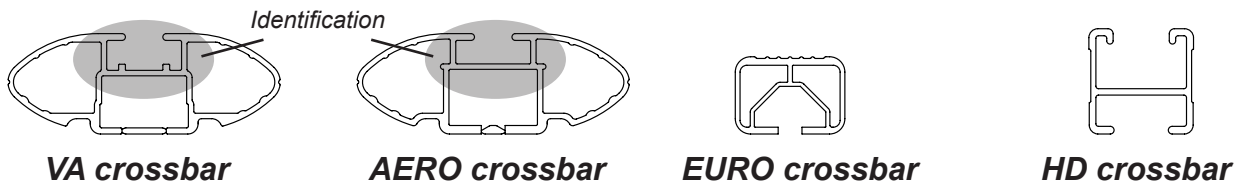




# DK053 Rhino-Rack VA, Aero, Euro & HD crossbar instruction

## IDENTIFICATION CHART



Vehicle	Date	Crossbar	FRONT CROSSBAR					REAR CROSSBAR				
			Front Right Pad/ Clamp	Front Left Pad/ Clamp	Measurement strip length per side	Measurement strip length per side	Measurement Distance ( x )	Foot plate arrow direction	Rear Right Pad/ Clamp	Rear Left Pad/ Clamp	Measurement strip length per side	Measurement strip length per side
Honda CRV Wagon	09/97-12/01	1180mm	M367 114502	222mm	167mm	1012mm	IN	M367 114502	209mm	154mm	986mm	IN
			Arrow FORWARD					Arrow FORWARD				
Renault Clio 5dr Hatch	05/01 on	1060mm	M367 114502	170mm	60mm	794mm	OUT	M367 114502	175mm	65mm	804mm	OUT
			Arrow FORWARD					Arrow FORWARD				



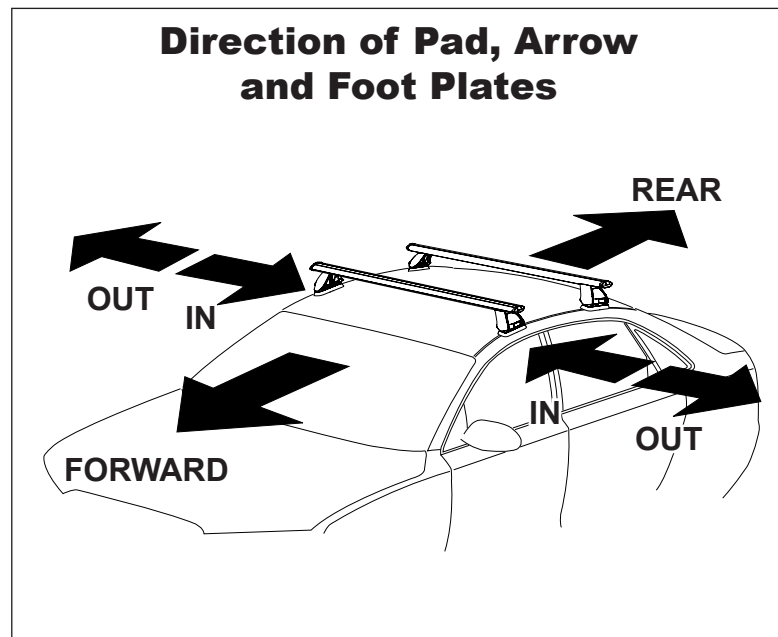
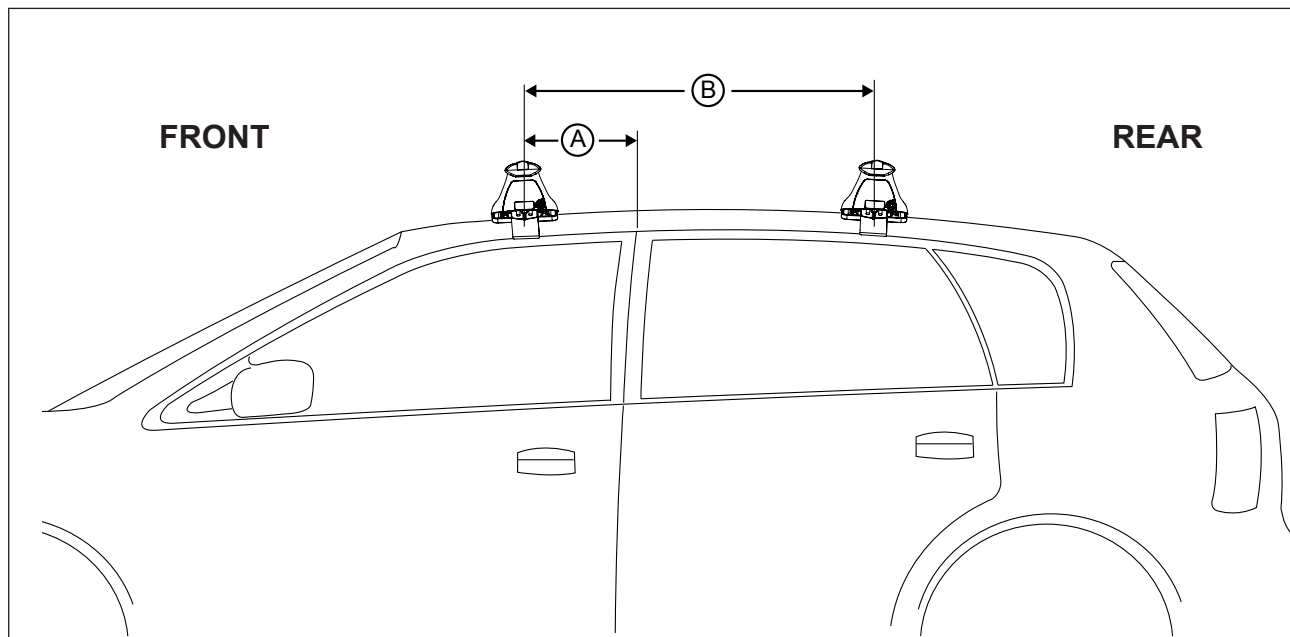
# DK053 Rhino-Rack VA, Aero, Euro & HD crossbar instruction

**Measurement A:** CENTRE of door jamb to CENTRE arrow of leg foot plate.

**Measurement B:** CENTRE of Front leg foot plate arrow to CENTRE of Rear leg foot plate arrow.

**Carrying capacity:** Roof rack is rated to 75kg. Please refer to manufacturers handbook for your vehicles maximum roof load capacity. Always use the lower of the two figures.

If your vehicle is not listed on this fitting instruction please refer to your countries Rhino-Rack web site for the latest information.



VEHICLE	Date	Measurement A	Measurement B	Load Rating (includes racks 5kg/11lbs)
Honda CRV Wagon	09/97-12/01	250mm	750mm	50kg / 110lbs
Renault Clio 5dr Hatch	05/01 on	250mm	700mm	50kg / 110lbs