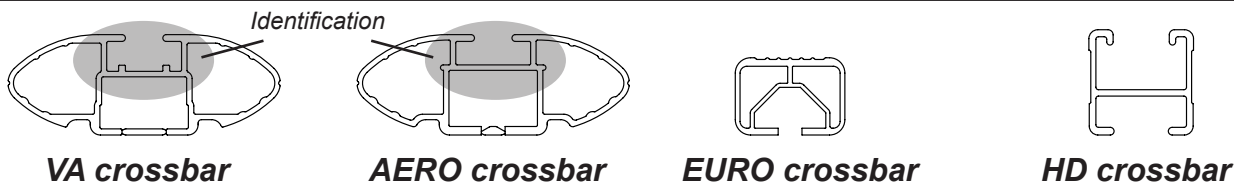




DK036 Rhino-Rack VA, Aero, Euro & HD crossbar instruction

IDENTIFICATION CHART

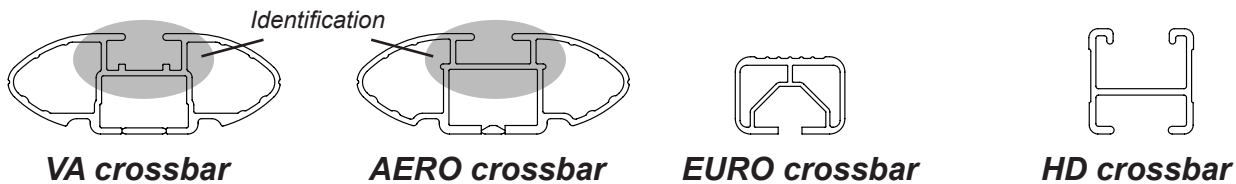


Vehicle	Date	Crossbar	FRONT CROSSBAR					REAR CROSSBAR				
			Front Right Pad/ Clamp	Front Left Pad/ Clamp	Measurement strip length per side	Measurement strip length per side	Measurement Distance (x)	Foot plate arrow direction	Rear Right Pad/ Clamp	Rear Left Pad/ Clamp	Measurement strip length per side	Measurement strip length per side
Mitsubishi Lancer CG/ CH 4dr Wagon (AU)	10/04-12/08	1180mm	M367 114500	195mm	140mm	968mm / 38,7/64"	OUT	M367 114500	186mm	131mm	940mm / 37"	OUT
			Arrow FORWARD					Arrow FORWARD				
Mitsubishi Lancer Sport-back (USA)	04-05	1180mm	M367 114500	200mm	145mm	968mm / 38,7/64"	OUT	M367 114500	186mm	131mm	940mm / 37"	OUT
			Arrow FORWARD					Arrow FORWARD				
Mitsubishi Lancer 4dr Estate (EUR)	04-07	1180mm	M367 114500	200mm	145mm	968mm / 38,7/64"	OUT	M367 114500	186mm	131mm	940mm / 37"	OUT
			Arrow FORWARD					Arrow FORWARD				
Holden Barina TK 5dr Hatch	12/05-10/11	1180mm	M367 114500	186mm	131mm	940mm / 37"	OUT	M367 114500	165mm	110mm	898mm / 35,23/64"	OUT
			Arrow FORWARD					Arrow FORWARD				
Holden Barina Classic TK 5dr Hatch	11/11-	1180mm	M367 114500	186mm	131mm	940mm / 37"	OUT	M367 114500	165mm	110mm	898mm / 35,23/64"	OUT
			Arrow FORWARD					Arrow FORWARD				



DK036 Rhino-Rack VA, Aero, Euro & HD crossbar instruction

IDENTIFICATION CHART



Vehicle	Date	Crossbar	FRONT CROSSBAR					REAR CROSSBAR						
			Front Right Pad/ Clamp	Front Left Pad/ Clamp	Measurement strip length per side	Measurement strip length per side	Measurement Distance (x)	Foot plate arrow direction	Rear Right Pad/ Clamp	Rear Left Pad/ Clamp	Measurement strip length per side	Measurement strip length per side	Measurement Distance (x)	Foot plate arrow direction
Chevrolet Aveo 5dr Hatch	04-11	1180mm	M367 114500		186mm	131mm	940mm / 37"	OUT	M367 114500		165mm	110mm	898mm / 35,23/64"	OUT
			Arrow FORWARD						Arrow FORWARD					



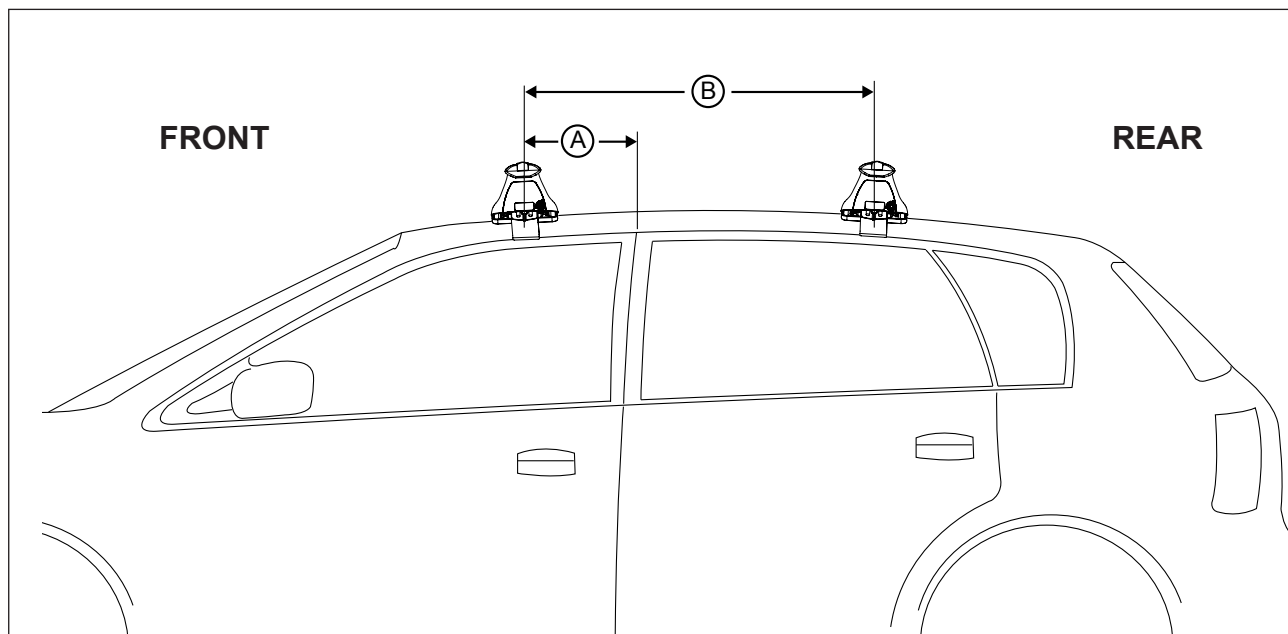
DK036 Rhino-Rack VA, Aero, Euro & HD crossbar instruction

Measurement A: CENTRE of door jamb to CENTRE arrow of leg foot plate.

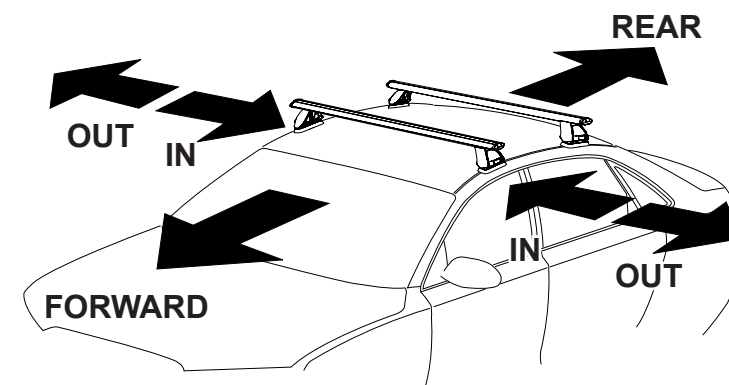
Measurement B: CENTRE of Front leg foot plate arrow to CENTRE of Rear leg foot plate arrow.

Carrying capacity: Roof rack is rated to 75kg. Please refer to manufacturers handbook for your vehicles maximum roof load capacity. Always use the lower of the two figures.

If your vehicle is not listed on this fitting instruction please refer to your countries Rhino-Rack web site for the latest information.



Direction of Pad, Arrow and Foot Plates



VEHICLE	Date	Measurement A	Measurement B	Load Rating (includes racks 5kg/11lbs)
Mitsubishi Lancer CG/CH 4dr Wagon (AU)	10/04-12/08	300mm / 11,13/16"	800mm / 31,1/2"	75kg / 165lbs
Mitsubishi Lancer Sportback (USA)	04-05	300mm / 11,13/16"	800mm / 31,1/2"	75kg / 165lbs
Mitsubishi Lancer 4dr Estate (EUR)	04-07	300mm / 11,13/16"	800mm / 31,1/2"	75kg / 165lbs
Holden Barina TK 5dr Hatch	12/05-10/11	250mm / 9,27/32"	700mm / 27,9/16"	50kg / 110lbs
Holden Barina Classic TK 5dr Hatch	11/11-	250mm / 9,27/32"	700mm / 27,9/16"	50kg / 110lbs
Chevrolet Aveo 5dr Hatch	04-11	250mm / 9,27/32"	700mm / 27,9/16"	50kg / 110lbs