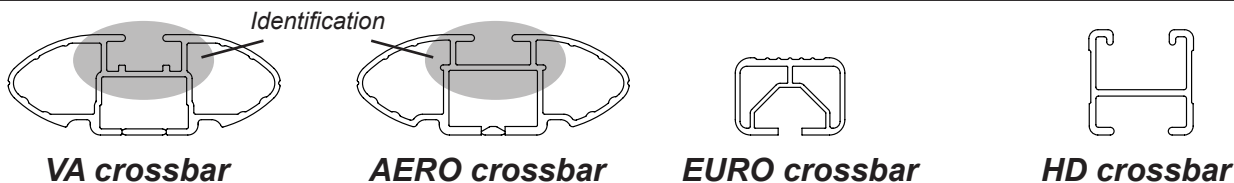




DK029 Rhino-Rack VA, Aero, Euro & HD crossbar instruction

IDENTIFICATION CHART



Vehicle	Date	Crossbar	FRONT CROSSBAR					REAR CROSSBAR				
			Front Right Pad/Clamp	Front Left Pad/Clamp	Measurement strip length per side	Measurement strip length per side	Measurement Distance (x)	Foot plate arrow direction	Rear Right Pad/Clamp	Rear Left Pad/Clamp	Measurement strip length per side	Measurement strip length per side
Toyota Land Crusier 100 4WD	98-07	1375mm	M368 SUB0151	156mm	101mm	1075mm / 42,21/64"	OUT	M366 SUB0151	213mm	158mm	1189mm / 46,13/16"	OUT
			Arrow OUT					Arrow FORWARD				
Lexus LX470 4WD	99-07	1375mm	M368 SUB0151	156mm	101mm	1075mm / 42,21/64"	OUT	M366 SUB0151	213mm	158mm	1189mm / 46,13/16"	OUT
			Arrow OUT					Arrow FORWARD				
Honda City 4dr Sedan	09-	1260mm	M368 SUB0151	164mm	51mm	976mm / 38,27/64"	OUT	M366 SUB0151	155mm	42mm	958mm / 37,23/32"	OUT
			Arrow OUT					Arrow FORWARD				
Honda Ballade 4dr Sedan	09-	1260mm	M368 SUB0151	164mm	51mm	976mm / 38,27/64"	OUT	M366 SUB0151	155mm	42mm	958mm / 37,23/32"	OUT
			Arrow OUT					Arrow FORWARD				



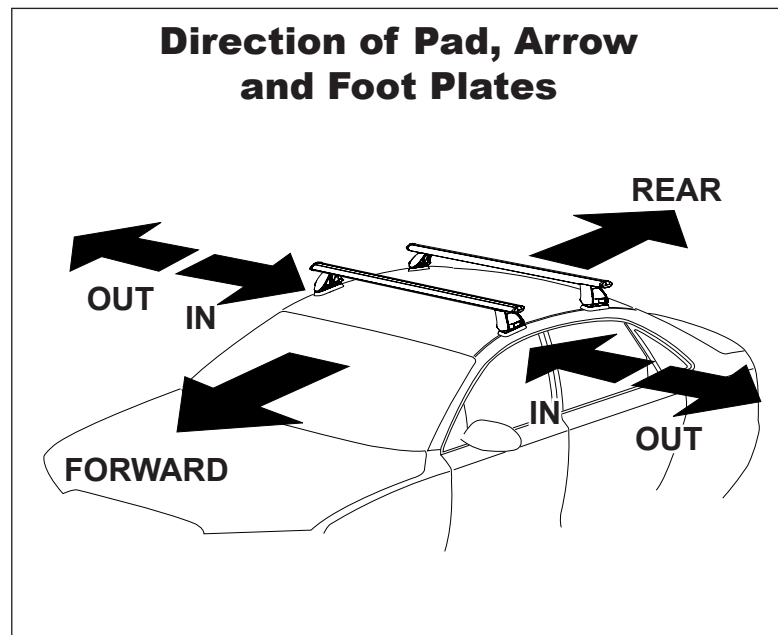
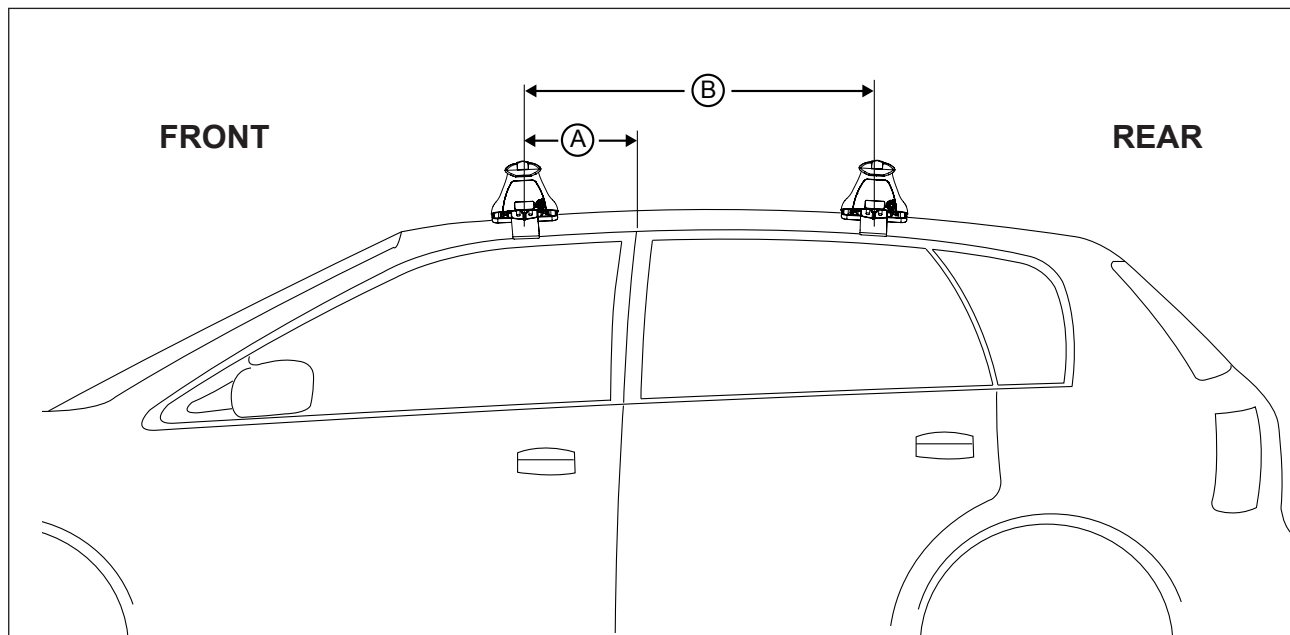
DK029 Rhino-Rack VA, Aero, Euro & HD crossbar instruction

Measurement A: CENTRE of door jamb to CENTRE arrow of leg foot plate.

Measurement B: CENTRE of Front leg foot plate arrow to CENTRE of Rear leg foot plate arrow.

Carrying capacity: Roof rack is rated to 75kg. Please refer to manufacturers handbook for your vehicles maximum roof load capacity. Always use the lower of the two figures.

If your vehicle is not listed on this fitting instruction please refer to your countries Rhino-Rack web site for the latest information.



VEHICLE	Date	Measurement A	Measurement B	Load Rating (includes racks 5kg/11lbs)
Toyota Land Cruiser 100 4WD	98-07	150mm / 5,29/32"	800mm / 31,1/2"	75kg / 165lbs
Lexus LX470 4WD	99-07	150mm / 5,29/32"	800mm / 31,1/2"	75kg / 165lbs
Honda City 4dr Sedan	09-	240mm / 9,29/64"	650mm / 25,19/32"	50kg / 110lbs
Honda Ballade 4dr Sedan	09-	240mm / 9,29/64"	650mm / 25,19/32"	50kg / 110lbs