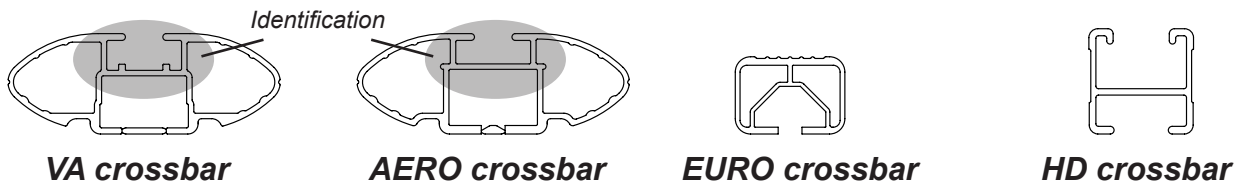




DK027 Rhino-Rack VA, Aero, Euro & HD crossbar instruction

IDENTIFICATION CHART



Vehicle	Date	Crossbar	FRONT CROSSBAR					REAR CROSSBAR						
			Front Right Pad/ Clamp	Front Left Pad/ Clamp	Measurement strip length per side	Measurement strip length per side	Measurement Distance (x)	Foot plate arrow direction	Rear Right Pad/ Clamp	Rear Left Pad/ Clamp	Measurement strip length per side	Measurement strip length per side	Measurement Distance (x)	Foot plate arrow direction
Kia Rio DC/BC 4dr Sedan	07/00-07/05	1180mm	M282 SUB0370	M281 SUB0370	141mm	86mm	850mm / 33,15/32"	OUT	M284 SUB0381	M283 SUB0381	132mm	77mm	832mm / 32,3/4"	OUT
			Arrow FORWARD						Arrow FORWARD					



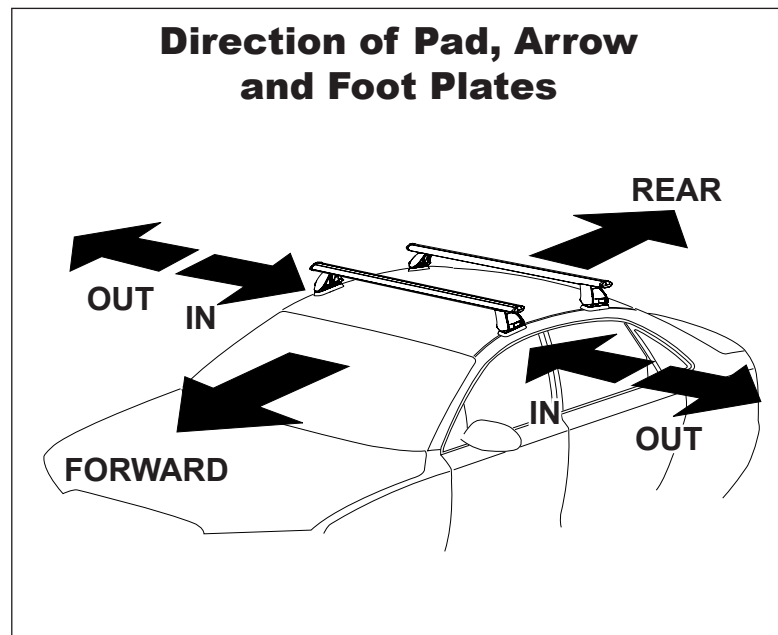
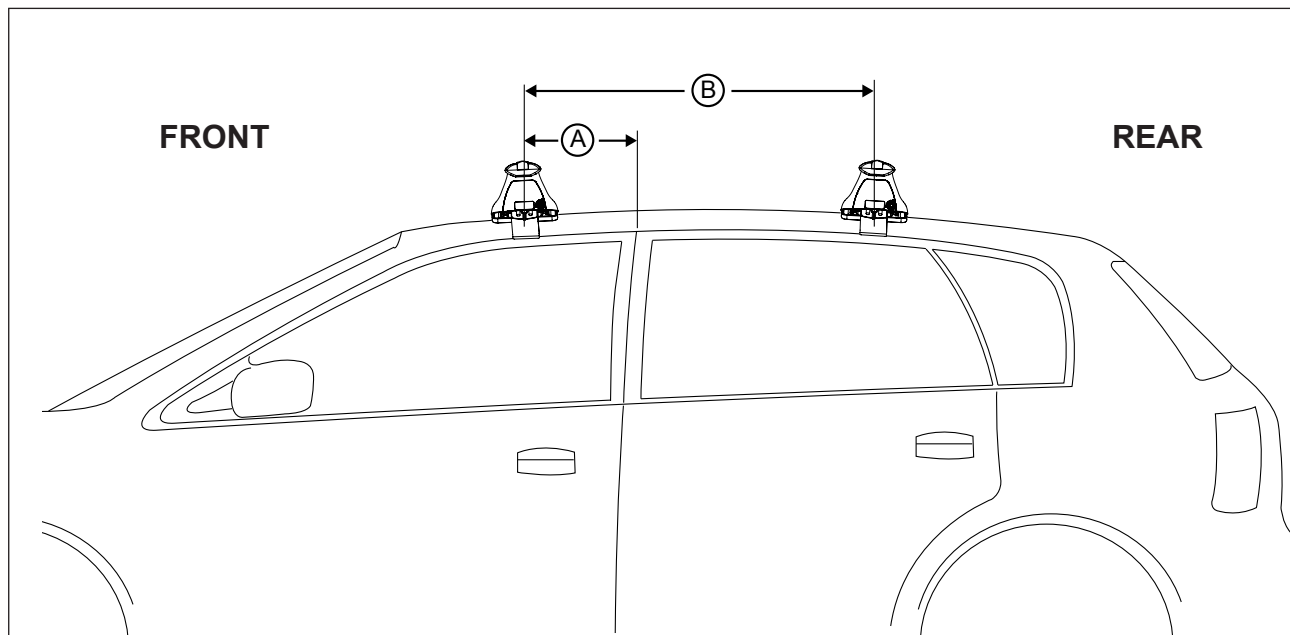
DK027 Rhino-Rack VA, Aero, Euro & HD crossbar instruction

Measurement A: CENTRE of door jamb to CENTRE arrow of leg foot plate.

Measurement B: CENTRE of Front leg foot plate arrow to CENTRE of Rear leg foot plate arrow.

Carrying capacity: Roof rack is rated to 75kg. Please refer to manufacturers handbook for your vehicles maximum roof load capacity. Always use the lower of the two figures.

If your vehicle is not listed on this fitting instruction please refer to your countries Rhino-Rack web site for the latest information.



VEHICLE	Date	Measurement A	Measurement B	Load Rating (includes racks 5kg/11lbs)
Kia Rio DC/BC 4dr Sedan	07/00-07/05	320mm / 12,19/32"	700mm / 27,9/16"	60kg / 132lbs