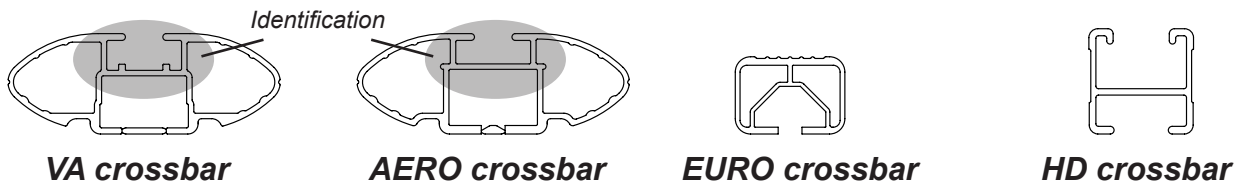




DK022 Rhino-Rack VA, Aero, Euro & HD crossbar instruction

IDENTIFICATION CHART



Vehicle	Date	Crossbar	FRONT CROSSBAR					REAR CROSSBAR						
			Front Right Pad/ Clamp	Front Left Pad/ Clamp	Measurement strip length per side	Measurement strip length per side	Measurement Distance (x)	Foot plate arrow direction	Rear Right Pad/ Clamp	Rear Left Pad/ Clamp	Measurement strip length per side	Measurement strip length per side	Measurement Distance (x)	Foot plate arrow direction
Toyota Corolla Conquest Ascent Wagon	01/06 on	1180mm	M368 114488 / 114489		183mm	128mm	934mm	OUT	M368 114488 / 114493		183mm	128mm	934mm	OUT
			Arrow OUT						Arrow OUT					



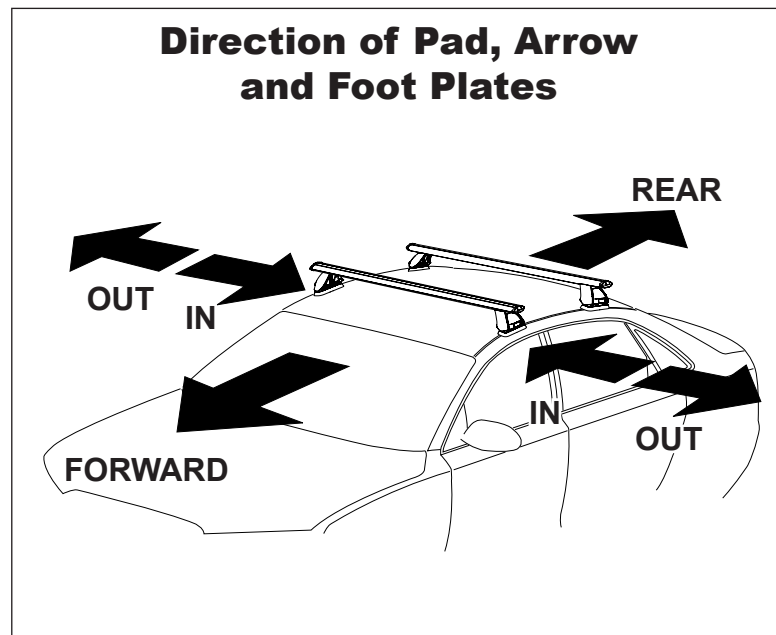
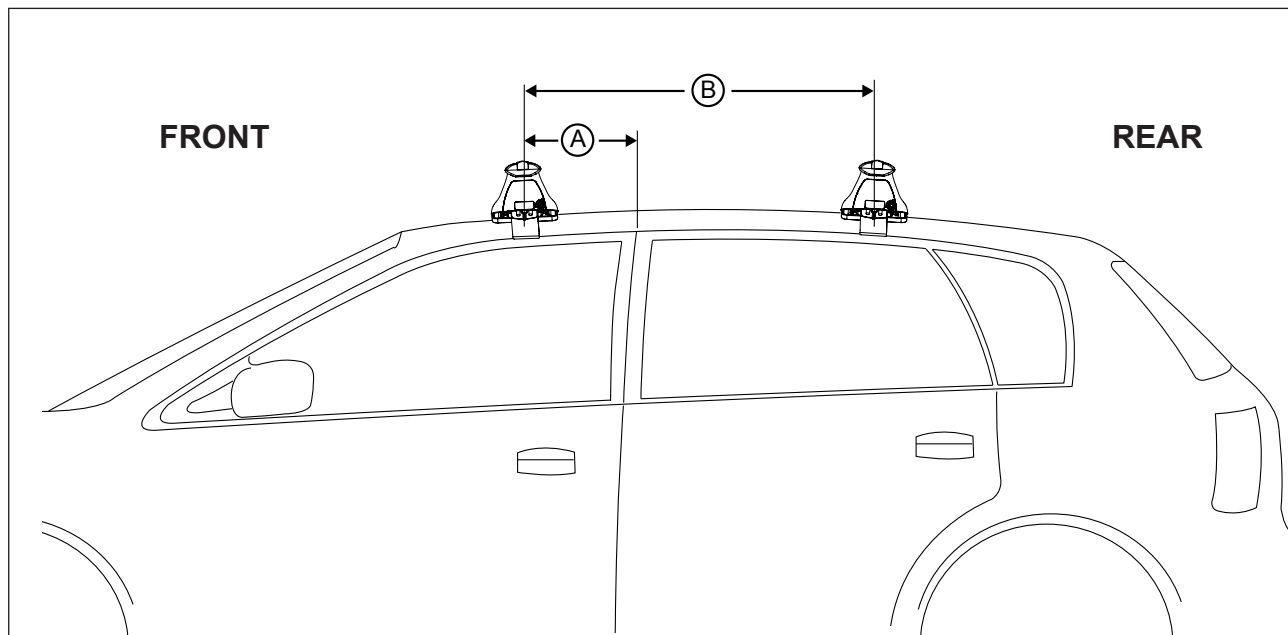
DK022 Rhino-Rack VA, Aero, Euro & HD crossbar instruction

Measurement A: CENTRE of door jamb to CENTRE arrow of leg foot plate.

Measurement B: CENTRE of Front leg foot plate arrow to CENTRE of Rear leg foot plate arrow.

Carrying capacity: Roof rack is rated to 75kg. Please refer to manufacturers handbook for your vehicles maximum roof load capacity. Always use the lower of the two figures.

If your vehicle is not listed on this fitting instruction please refer to your countries Rhino-Rack web site for the latest information.



VEHICLE	Date	Measurement A	Measurement B	Load Rating (includes racks 5kg/11lbs)
Toyota Corolla Conquest, Ascent Wagon	01/06 on	250mm	720mm	75kg / 165lbs