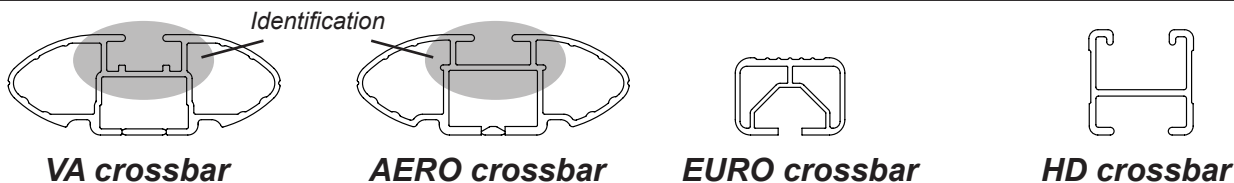




# DK010 Rhino-Rack VA, Aero, Euro & HD crossbar instruction

## IDENTIFICATION CHART

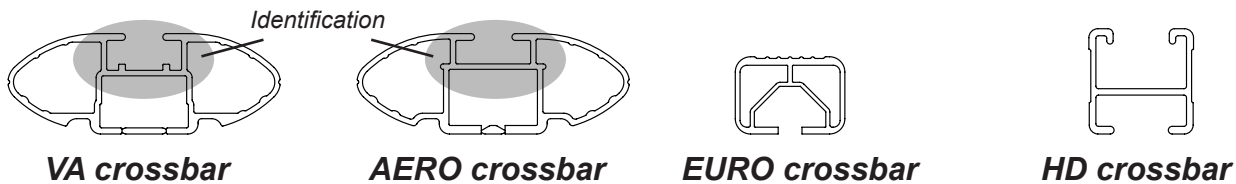


| Vehicle                           | Date        | Crossbar | FRONT CROSSBAR         |                       |                                   |                                   |                            | REAR CROSSBAR              |                       |                      |                                   |                                   |
|-----------------------------------|-------------|----------|------------------------|-----------------------|-----------------------------------|-----------------------------------|----------------------------|----------------------------|-----------------------|----------------------|-----------------------------------|-----------------------------------|
|                                   |             |          | Front Right Pad/ Clamp | Front Left Pad/ Clamp | Measurement strip length per side | Measurement strip length per side | Measurement Distance ( x ) | Foot plate arrow direction | Rear Right Pad/ Clamp | Rear Left Pad/ Clamp | Measurement strip length per side | Measurement strip length per side |
| Honda Jazz 5dr Hatch              | 10/02-07/08 | 1180mm   | M367 SUB0150           | 207mm                 | 152mm                             | 982mm / 38,21/32"                 | OUT                        | M367 SUB0150               | 186mm                 | 131mm                | 940mm / 37,1/64"                  | OUT                               |
|                                   |             |          | Arrow FORWARD          |                       |                                   |                                   |                            | Arrow FORWARD              |                       |                      |                                   |                                   |
| Honda Fit 5dr Hatch               | 02-08       | 1180mm   | M367 SUB0150           | 207mm                 | 152mm                             | 982mm / 38,21/32"                 | OUT                        | M367 SUB0150               | 186mm                 | 131mm                | 940mm / 37,1/64"                  | OUT                               |
|                                   |             |          | Arrow FORWARD          |                       |                                   |                                   |                            | Arrow FORWARD              |                       |                      |                                   |                                   |
| Hyundai Trajet 5dr Wagon          | 06/00-07    | 1375mm   | M367 SUB0150           | 175mm                 | 120mm                             | 1113mm / 43,13/16"                | OUT                        | M367 SUB0150               | 175mm                 | 120mm                | 1113mm / 43,13/16"                | OUT                               |
|                                   |             |          | Arrow FORWARD          |                       |                                   |                                   |                            | Arrow FORWARD              |                       |                      |                                   |                                   |
| Hyundai Elantra Touring 5dr Hatch | 2009-       | 1180mm   | M367 SUB0150           | 197mm                 | 142mm                             | 962mm / 37,7/8"                   | OUT                        | M367 SUB0150               | 187mm                 | 132mm                | 942mm / 37,3/32"                  | OUT                               |
|                                   |             |          | Arrow FORWARD          |                       |                                   |                                   |                            | Arrow FORWARD              |                       |                      |                                   |                                   |
| Land Rover Freelander 2           | 06/07-      | 1260mm   | M367 SUB0150           | 201mm                 | 88mm                              | 1050mm / 41,11/32"                | OUT                        | M367 SUB0150               | 186mm                 | 73mm                 | 1020mm / 40,5/32"                 | OUT                               |
|                                   |             |          | Arrow FORWARD          |                       |                                   |                                   |                            | Arrow FORWARD              |                       |                      |                                   |                                   |



# DK010 Rhino-Rack VA, Aero, Euro & HD crossbar instruction

## IDENTIFICATION CHART



| Vehicle        | Date  | Crossbar | FRONT CROSSBAR         |                       |                                   |                                   |                            | REAR CROSSBAR              |                       |                      |                                   |                                   |                            |                            |
|----------------|-------|----------|------------------------|-----------------------|-----------------------------------|-----------------------------------|----------------------------|----------------------------|-----------------------|----------------------|-----------------------------------|-----------------------------------|----------------------------|----------------------------|
|                |       |          | Front Right Pad/ Clamp | Front Left Pad/ Clamp | Measurement strip length per side | Measurement strip length per side | Measurement Distance ( x ) | Foot plate arrow direction | Rear Right Pad/ Clamp | Rear Left Pad/ Clamp | Measurement strip length per side | Measurement strip length per side | Measurement Distance ( x ) | Foot plate arrow direction |
| Land Rover LR2 | 2007- | 1260mm   | M367 SUB0150           |                       | 201mm                             | 88mm                              | 1050mm / 41,11/32"         | OUT                        | M367 SUB0150          |                      | 186mm                             | 73mm                              | 1020mm / 40,5/32"          | OUT                        |
|                |       |          | Arrow FORWARD          |                       |                                   |                                   |                            |                            | Arrow FORWARD         |                      |                                   |                                   |                            |                            |
|                |       |          |                        |                       |                                   |                                   |                            |                            |                       |                      |                                   |                                   |                            |                            |
|                |       |          |                        |                       |                                   |                                   |                            |                            |                       |                      |                                   |                                   |                            |                            |
|                |       |          |                        |                       |                                   |                                   |                            |                            |                       |                      |                                   |                                   |                            |                            |
|                |       |          |                        |                       |                                   |                                   |                            |                            |                       |                      |                                   |                                   |                            |                            |



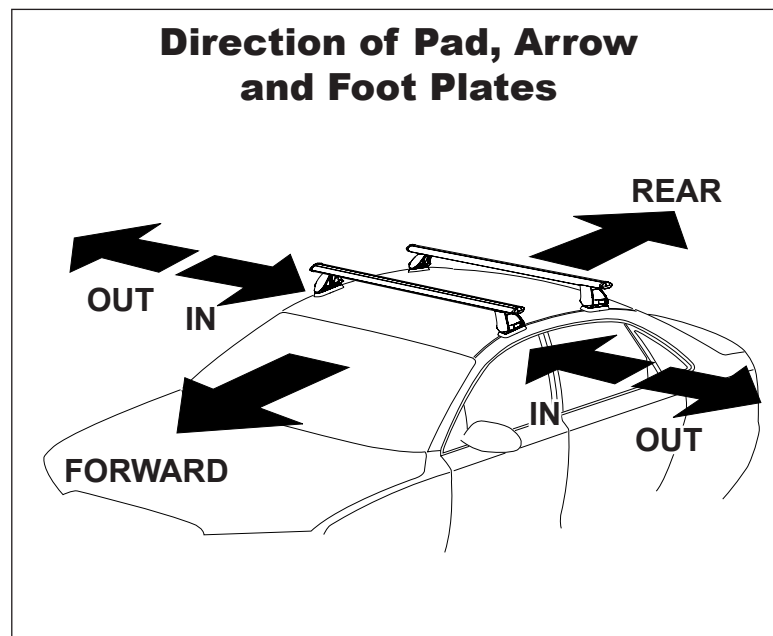
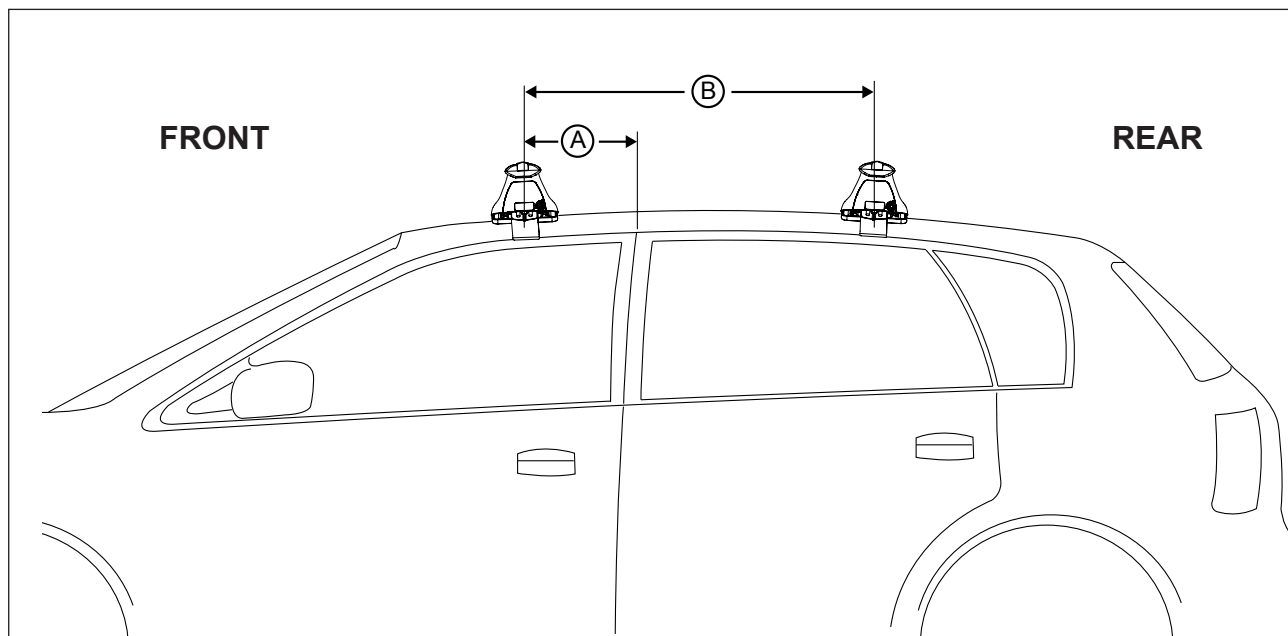
# DK010 Rhino-Rack VA, Aero, Euro & HD crossbar instruction

**Measurement A:** CENTRE of door jamb to CENTRE arrow of leg foot plate.

**Measurement B:** CENTRE of Front leg foot plate arrow to CENTRE of Rear leg foot plate arrow.

**Carrying capacity:** Roof rack is rated to 75kg. Please refer to manufacturers handbook for your vehicles maximum roof load capacity. Always use the lower of the two figures.

If your vehicle is not listed on this fitting instruction please refer to your countries Rhino-Rack web site for the latest information.



| VEHICLE                           | Date        | Measurement A    | Measurement B    | Load Rating (includes racks 5kg/11lbs) |
|-----------------------------------|-------------|------------------|------------------|--|
| Honda Jazz 5dr Hatch              | 10/02-07/08 | 150mm / 5,29/32" | 600mm / 23,5/8"  | 50kg / 110lbs                          |
| Honda Fit 5dr Hatch               | 02/08       | 150mm / 5,29/32" | 600mm / 23,5/8"  | 50kg / 110lbs                          |
| Hyundai Trajet 5dr Wagon          | 06/00-07    | 200mm / 7,7/8"   | 800mm / 31,1/2"  | 50kg / 110lbs                          |
| Hyundai Elantra Touring 5dr Hatch | 2009-       | 230mm / 9,1/16"  | 700mm / 27,9/16" | 60kg / 132lbs                          |
| Land Rover Freelander 2           | 06/07-      | 210mm / 8,17/64" | 700mm / 27,9/16" | 75kg / 165lbs                          |
| Land Rover LR2                    | 2007-       | 210mm / 8,17/64" | 700mm / 27,9/16" | 75kg / 165lbs                          |