

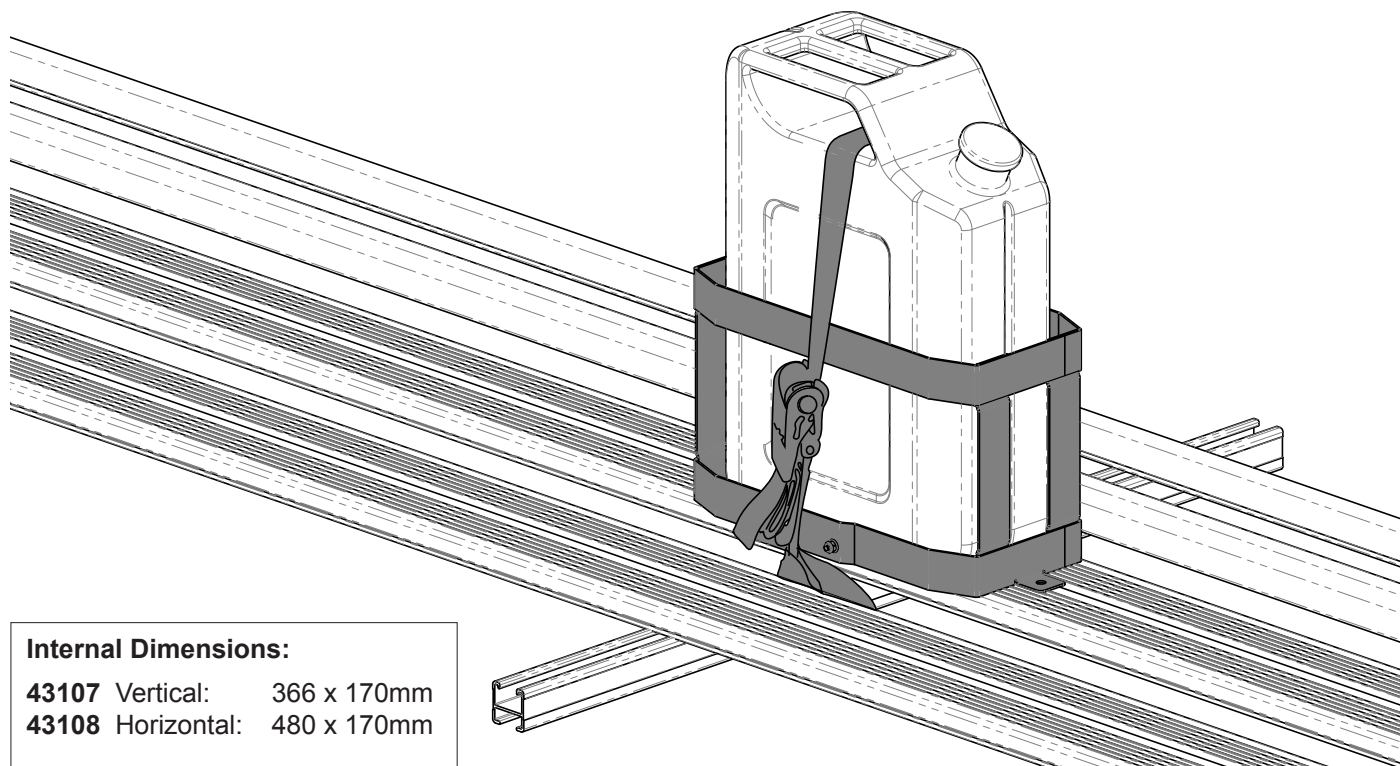


RHINO-RACK

43107 Rhino Jerry Can Holder 43108 Rhino Jerry Can Holder - Horizontal

Important: Please read these instructions carefully prior to installation.
Check the contents of kit before commencing fitment and report any discrepancies.
Clean the alloy tray prior to installation.
Place these instructions in the vehicle's glove box after installation is complete.

Layout



Internal Dimensions:

43107 Vertical: 366 x 170mm
43108 Horizontal: 480 x 170mm

Important Information

Recommendations:

Use only non-stretch fastening ropes or straps. Do not overload your Rhino-Rack Alloy Tray and roof bars. Check your vehicle's roof carrying capacity. Exercise caution when driving off road as vehicle roof height has been increased.

Caution:

The handling characteristics of the vehicle change when you transport a load on the roof. For safety reasons, we recommend exercising extreme care when transporting large wind-resisting loads; special consideration must be taken into account when negotiating corners and under braking.

Note for Dealers and Fitters:

It is your responsibility to ensure instructions are given to the end user or client.

Rhino-Rack
3 Pike Street, Rydalmere,
NSW 2116, Australia.
(Ph) (02) 9638 4744
(Fax) (02) 9638 4822

Document No: RR242
Prepared By: Nigel Greig
Authorised By: Gary England

Issue No: 07
Issue Date: 11/11/2013

These instructions remain the property of RhinoRack Australia Pty. Ltd. and may not be used or changed for any other purpose than intended.

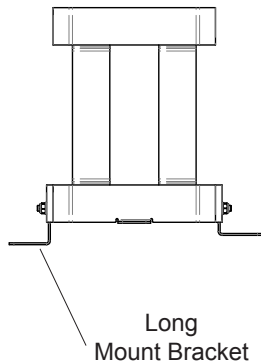


43107 Rhino Jerry Can Holder

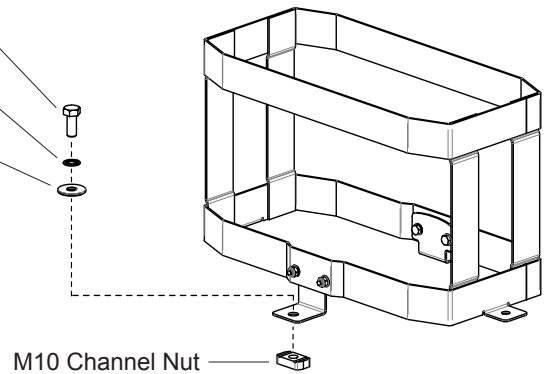
43108 Rhino Jerry Can Holder - Horizontal

2 Fit Hardware to Jerry Can Holder:

Fit hardware to the long mount bracket on the jerry can holder as shown, leave the hardware loose at this stage.



M10 x 25mm Hex Bolt
M10 Shakeproof Washer
M10 x 30mm Flat Washer

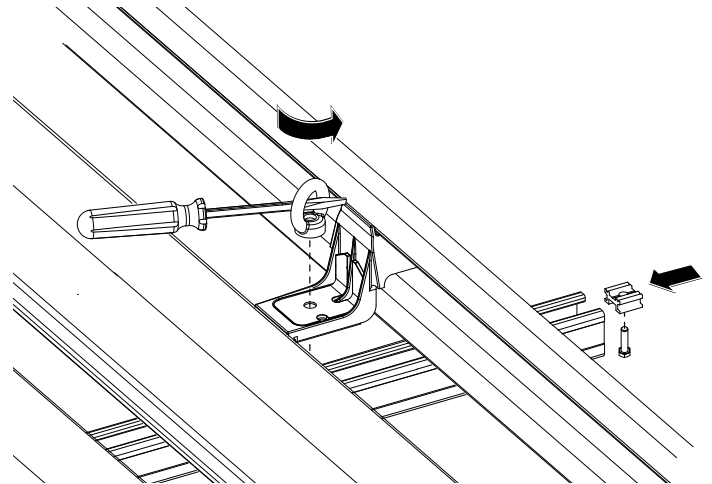


3 Remove Eye Bolt:

Decide which corner you would like the jerry can to be located on the alloy tray. Remove the eye nut in this location with the shank of a screwdriver. Remove the shakeproof and flat washer below the eye nut on the alloy tray.

Please Note:

If the existing bolt is M10 x 35mm replace it with the M10 x 40mm bolt provided, you will have to remove more eye nuts and loosen some allen key bolts to slide the bolt and tab cage in and out of the bar.



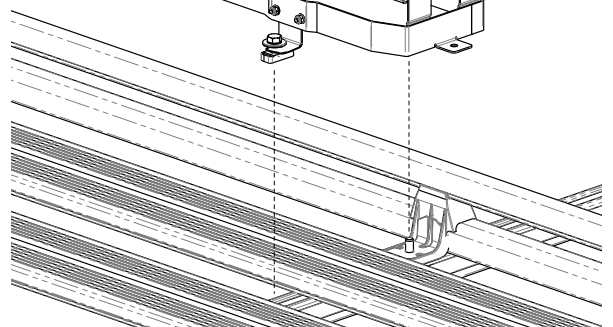
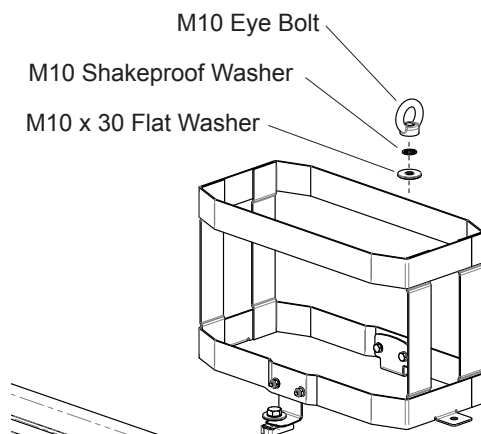
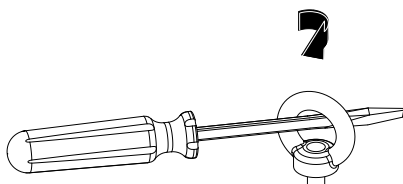
4 Fit Jerry Can Holder to Tray:

Lower the jerry can holder onto the tray making sure that the bolt in the tray goes through the hole in the mount bracket.

Fit the eye bolt and washers as shown. On the opposite side make sure that the channel nut rotates 90° when inserted into the commercial bar.

Tighten the M10 bolt with a spanner. Tighten the eye nut with the shank of a screwdriver as shown below.

Proceed to Step 6.





43107 Rhino Jerry Can Holder

43108 Rhino Jerry Can Holder - Horizontal

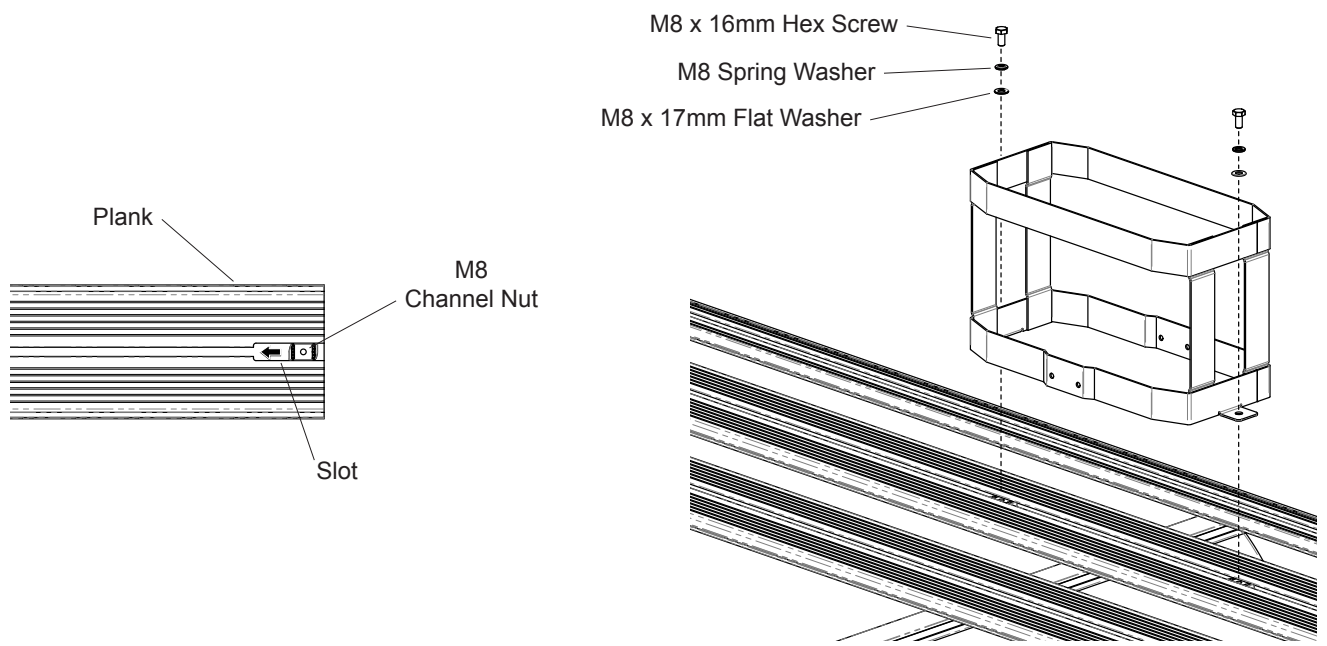
Rhino Pioneer Alloy Tray Fitment

5 Fit Jerry Can Holder to Plank:

Lower the jerry can holder onto the plank where you would like to fit the unit. Place two M8 channel nuts into the slot at the end of the plank and slide the channel nuts under the tabs at each end of the jerry can holder. Fit the hardware to the channel nuts as shown and fasten in position.

Fitment Note: Jerry can holder must always be fitted to the outside plank of the tray. It must also be centred over one of crossbars running beneath the planks as the strap brackets need to be fitted to the crossbar.

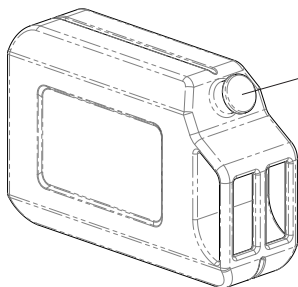
Multiple Jerry Can Holders: When fitting multiple jerry can holders to the same tray the load must be distributed evenly over the tray. Fitment note above must also be followed.



6 Insert Jerry Can:

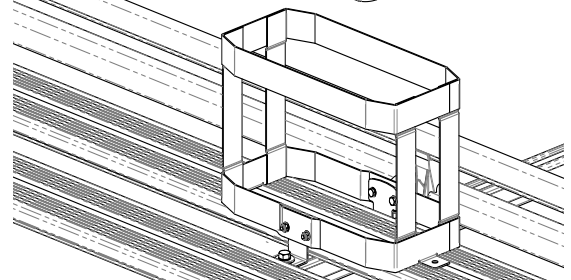
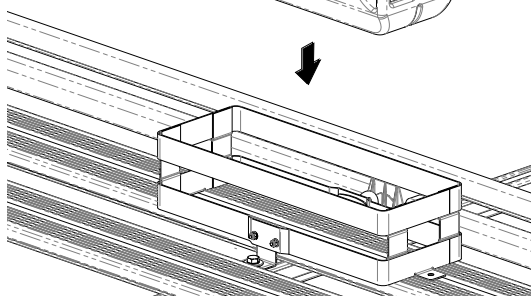
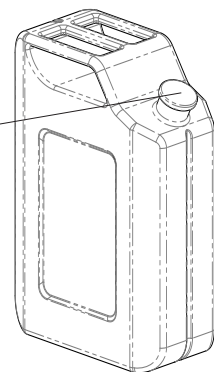
Insert the jerry can to be used into the jerry can holder as shown below.

Horizontal Jerry Can Holder



It is important to keep the filler cap facing upwards when you load the jerry can into the holder.

Vertical Jerry Can Holder





43107 Rhino Jerry Can Holder

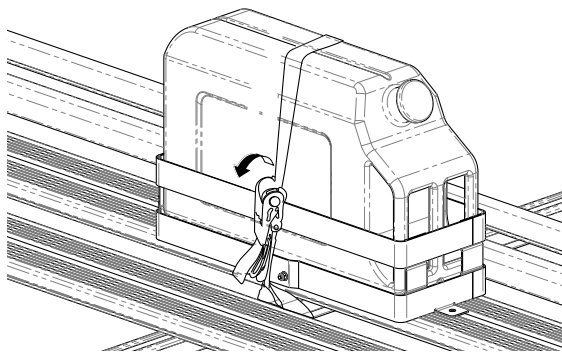
43108 Rhino Jerry Can Holder - Horizontal

7 Fit Ratchet Strap:

Horizontal Holder:

Lay the ratchet strap over the middle of the jerry can holder as shown. Wrap the ratchet end of the strap under the crossbar and feed through the loop, gently pull the ratchet until the strap is firmly in place. Repeat this for the opposite side, ensure that the strap is kept as close to the jerry can holder as possible.

Tighten the ratchet strap until the jerry can is secure.



Vertical Holder:

Insert the ratchet strap through the handle of the jerry can as shown. Wrap the ratchet end of the strap under the crossbar and feed through the loop, gently pull the ratchet until the strap is firmly in place. Repeat this for the opposite side, ensure that the strap is kept as close to the jerry can holder as possible.

Tighten the ratchet strap until the jerry can is secure.

