

END SUPPORT (RIGHT) x2	END SUPPORT (LEFT) x2	MOUNT PAD (RIGHT) x2	MOUNT PAD (LEFT) x2	SNAP-ON COVER x4	SECURITY COVER x4	STRAP BRACKET x4	SCREW x4	SECURITY BOLT x4	SECURITY BOLT x4	ASSEMBLY KEY x1	CROSS-BAR ASSEMBLY x2

SOME FITMENTS MAY ALSO FEATURE THE FOLLOWING COMPONENTS:					Please Note: You will require the following tools			
	ANCHOR POINT BOLT x4	ALLEN KEY x1	BOTTOM STRAP BRACKET x4	BOLT COVER x4				

ASSEMBLY OF CROSS-BARS

1. Ensure the roof is clean, free from dust and grease.
2. Insert the neck of the End-Support into the void of the Cross-bar profile. They are designed to be a tight fit: use a rubber mallet if necessary (Fig.1)
3. Pull back the rubber Buffer Strip about 20mm until the screw hole can be accessed.(Fig. 2) Using a Phillips Head Screwdriver, fasten the screw through the cross-bar and into the End Support. Do this for all four sides and replace the buffer strip.
NOTE: The longer cross-bars are to be fitted to the front of the vehicle. Check labelling on the underside of the cross-bar.

FITTING CROSS-BARS TO VEHICLE

4. Below the Trim on the vehicle roof you will find three sets of Anchor Points in the positions shown (Fig. 3).
5. From the Inside Edge of the Trim, maneuver the Retaining Strap until it fits under the Anchor Point. Pull the Strap upward to reveal a gap above the anchor hook & the slot in the bottom Retaining Strap. Slide the top locking strap down the face of the bottom Retaining Strap, until it engages between the top of the anchor hook & the Retaining Strap. (Fig.4)

- Please be careful as not to scratch/damage the paint when installing the strap brackets.

6. Place the Rubber Pad onto the vehicle roof so that the cut out section fits under the Retaining Strap.
NOTE: The pointier end of the Rubber Pads faces towards the front of the vehicle (Fig.5).

7. Place the Cross Bars assemblies onto the Rubber Pads.

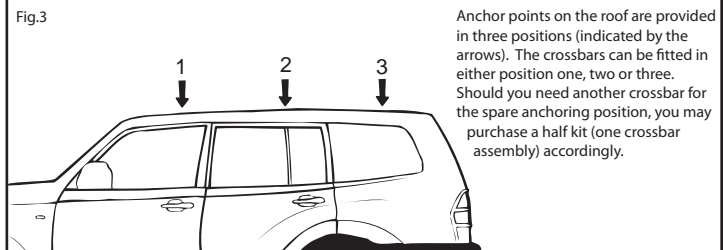
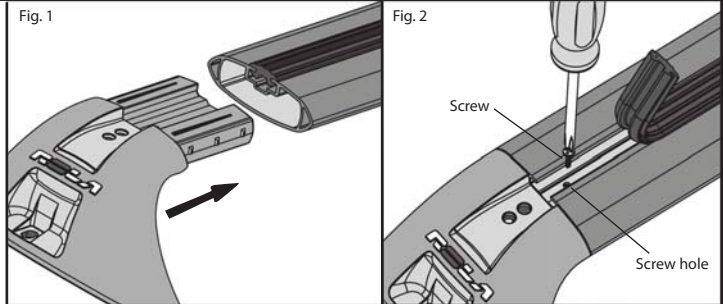
8. Loosely fit Special Bolt through End Support and into the Straps. Give two to three turns of Special Bolt in Locking Strap with Security Key provided. Go to the other side of the vehicle and pull on the End Support and fit the same. This will allow correct alignment of Locking Straps and Special Bolt thread (Fig.6).

9. Gradually tighten bolts alternately ensuring Locking Straps are properly engaged, until even tensioning is achieved.
PLEASE NOTE: When tightening bolts, particular attention should be paid to the gap between the horizontal face of Strap and underside of End Support. A gap of approximately 1 to 3mm should be left (Fig.8). Overtightening of the Bolts may result in roof damage.

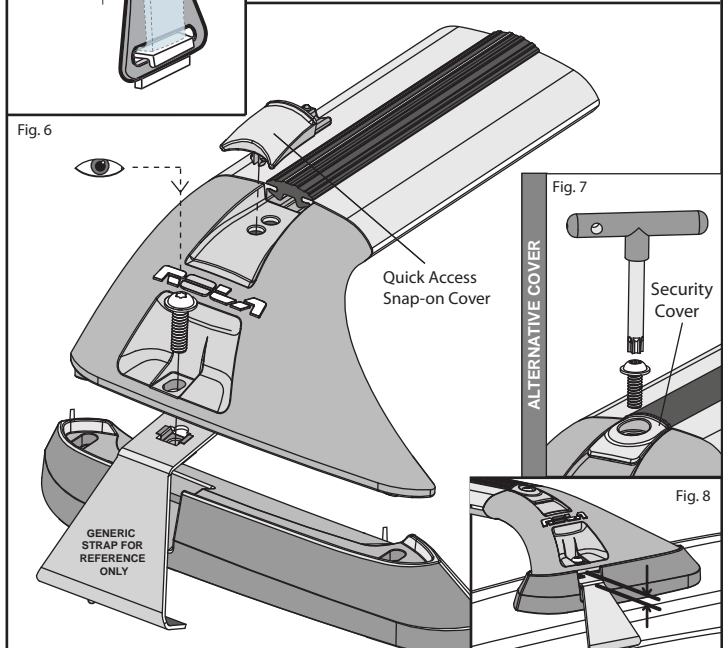
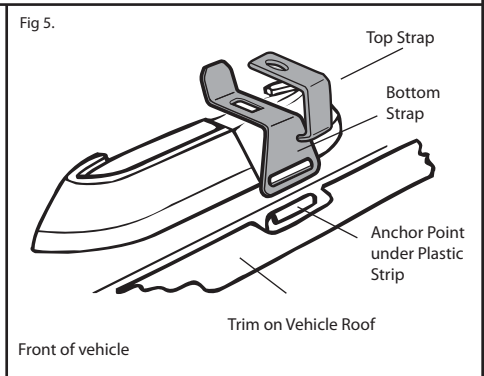
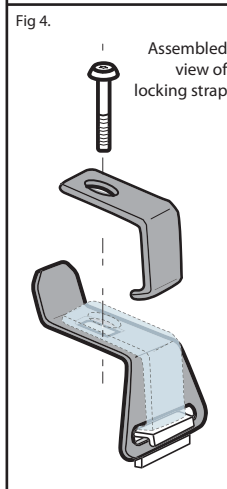
10. Proceed to follow steps 5 to 9 when mounting the Rear Cross-bar Assy.

11. You are now ready to mount your "Accessories" set onto the cross-bars using the Global Mount Channel. Once installed, insert the 'Global Channel' Covers into the End Supports.

Note: You have a choice of 2 - (a) quick access snap-on cover or (b) long term mounting - security cover to cap off and lock the mount channel. (Fig. 6 and Fig. 7)



Anchor points on the roof are provided in three positions (indicated by the arrows). The crossbars can be fitted in either position one, two or three. Should you need another crossbar for the spare anchoring position, you may purchase a half kit (one crossbar assembly) accordingly.



General Usage Information

It is essential for the proper assembly, operation and use of the Roof Rack that the instructions and safety precautions supplied are strictly observed. Read any fitting, care and usage instruction carefully.

The maximum permissible load for your Roof Bar is the lower of the maximum load capacity specified in your vehicle operation manual, or specified as applying to the Roof-Rack. Do not exceed the maximum specified load capacity.

Maximum permissible load = weight of the Roof Rack + weight of accessories + weight of load (cargo).

When fitting the Roof-Rack and transporting a load, ensure the vehicle's functions are not impaired (eg, sunroof, aerials, windscreen wipers, mirrors). Rear doors on Hatch- and Wagon-type vehicles should be inspected for adequate clearance for full opening operation of the boot/tailgate.

Stop and check all screw connections, bolts and retaining straps after a short distance of travel. Repeat these checks at regular intervals.

Warnings

Remember that the fitting of a Roof Rack and the transport of a load increases the overall height of the carrying vehicle.

Where the Roof-Rack is to be used in off-road conditions, a safety weight reduction of 1.5 should be observed from the total carrying capacity. (eg. 60kg becomes 40kg)

Cequent will not be liable to the purchaser or any other person for any consequential, incidental, direct or indirect loss, damage or costs incurred or suffered by the purchaser or any other person including but not limited to damage to persons or property, loss of turnover, loss of profits, loss of business or goodwill, arising from or in relation to the assembly and use of the Roof rack, or the non-observance of the fitting and care instructions.

APPENDICES & ADDITIONAL 'FITMENT SPECIFIC' FITTING STEPS - IF REQUIRED

This area has been intentionally left blank.