

Maximum Carrying Capacity: 2-Bars: 60kg

**Parts List: (Refer to Fig.1)**

Item	Description	Qty.	Part No.
1	Cross Bars (with Buffer Strip)	2 (1)	Refer Fig.1
2	End Support	4 (2)	MSES016
3	Strap	4 (2)	3714
4	Grey Security Key	1	22-0356
5	M6 x 27mm Bolts	4 (2)	22-0350
6	3/8" Screw	4 (2)	22-0016
7	End Support Cover	4 (2)	25-0095
8	Locks and Key set	4 (2)	LB04 / (LB02)
9	M6 Nut	4 (2)	22-0460

For the Single-Bar fitments, only the relevant Cross Bar and Bolts are included. The number shown in brackets denotes the quantity included in the Single-Bar fitments.

**NOTE: Prior to Assembly**

Prior to assembling, check that the kit contains all the parts you will need to fit the Roof Racks. Refer to the Parts List for guidance. Please read these fitting instructions prior to assembly.

**STEP 1: Fitting End Supports to the Cross Bars**

Ensure the Lock Barrels have been inserted into the End Support Covers before assembly. Refer to Lock Barrel Kit Fitting Instructions.

A. Insert the End Support into the end of one of the Cross Bars (Fig. 2a). If required, use a rubber mallet to assist with assembling. Repeat with remaining End Supports.

Only use a rubber mallet to assist with assembling, as a hammer may damage the End Supports.

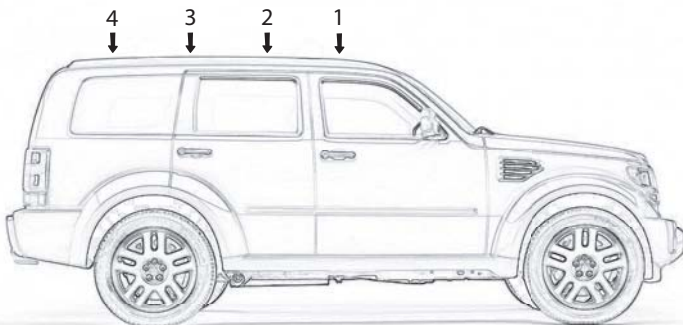
Ensure End Supports are oriented correctly. Refer to Fig. 2a.

B. Attach the End Support Cover. Insert the narrow end of the End Support cover into the top of the End Support (Fig. 2b). Twist the End Support Cover clockwise to lock it in place.

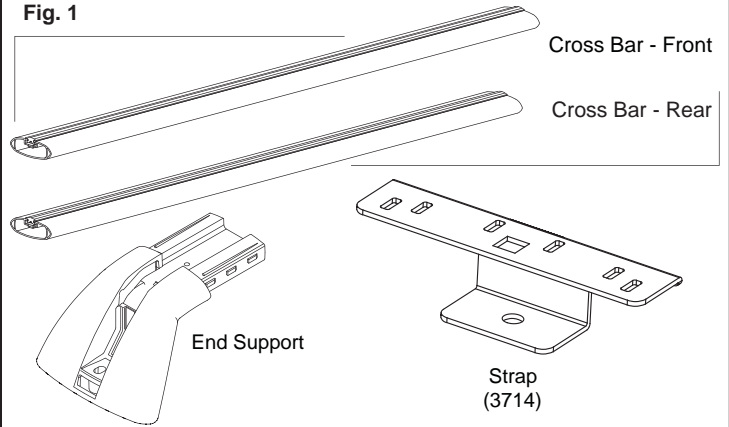
C. Peel back the Buffer Strip, on the Cross Bar, 30mm from the end to expose the Screw Hole in the Channel. Insert the 3/8" Screw into the hole and fully tighten such that the End Support is fixed to the Cross Bar (Fig. 2c). Replace Buffer Strip. Repeat with remaining End Supports.

Location of anchor points on Vehicle Roof:

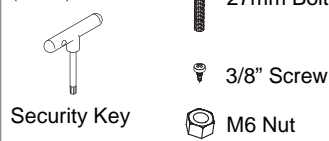
**Fig. 3**



**Fig. 1**



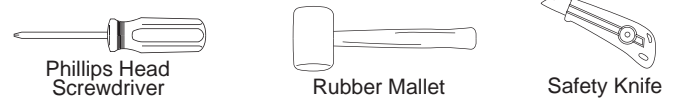
Fit Kit Hardware (AS009)



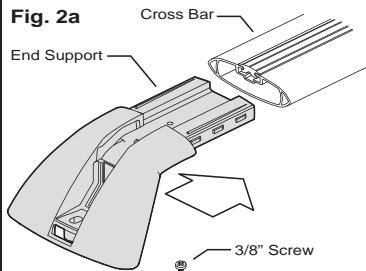
End Support Cover



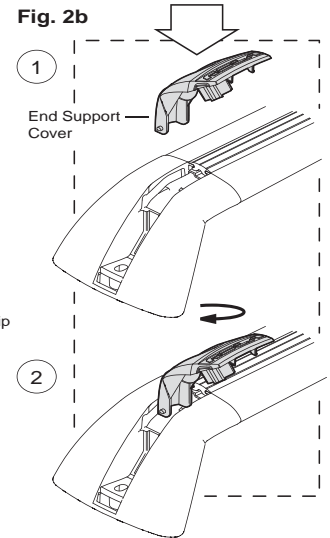
**Please Note:** You will require the following tools



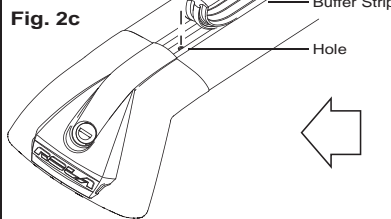
**Fig. 2a**



**Fig. 2b**

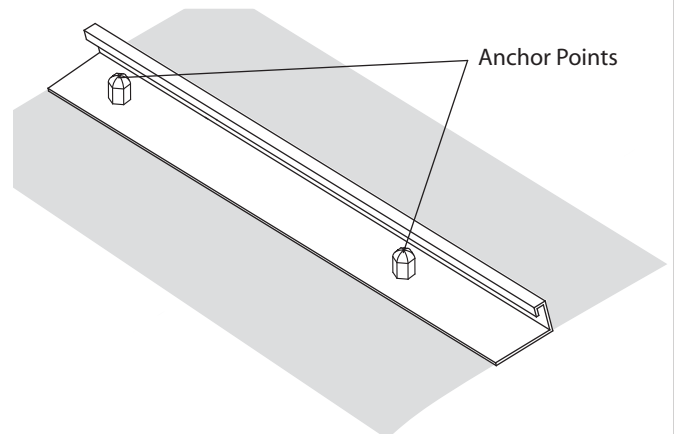


**Fig. 2c**



Track on Vehicle Roof:

**Fig. 4**



FAILURE TO FOLLOW THESE INSTRUCTIONS WILL VOID WARRANTY

**STEP 3: Installing Straps into vehicle track**

- A. Locate the factory track on the vehicle roof. (Refer Fig 3)
- B. Unbolt the plastic nut from the track (Fig 4a & Fig 4b) at point 1 and 3 (Fig 3)
- C. Place the strap onto the anchor point thread (Fig 4c) and bolt it securely into place with the supplied M6 nut (Fig 4d).

- ⚠ Ensure that the strap is orientated correctly
- ⚠ Ensure that the plastic nuts are retained and stored in a safe place, for reuse with the roof rack is not being used.

**STEP 4: Fitting the Cross Bars to the Vehicle**

- A. Each Cross Bar varies in length:
  - ⚠ The Cross Bar labelled 'Front' (on the underside of the Cross Bar) belongs to the Front Strap (if purchased).
  - ⚠ The remaining cross bar without a label belongs to the Rear Strap (if purchased).

Refer to Fig. 1a for further guidance.
- B. Place the End Supports of one of the Cross Bar Assemblies on the two corresponding strap assemblies (Fig. 5a).
- C. Lift the two End Support Covers such that the Anchor Hole is exposed. Loosely fasten both sides in place by inserting the 30mm Bolt into the Anchor Hole, and turning approx. 2-3 turns with the Grey Security Key (Fig. 5b).
- D. Using the Grey Security Key, tighten the 27mm Bolts to approx. 7Nm of torque or a firm hand-tightness. Close the End Support Covers and lock using the Key provided.
- E. Repeat STEPS B, C and D for the remaining Cross Bar Assembly (if purchased).
- F. Remove Keys and store in a safe place.

**STEP 5: Using the Roof Racks**

- A. Refer to 'Care for your Racks' to maintain your Roof Racks.
- B. To load accessories into the Channel of the Cross Bars, unlock the End Support Cover (Fig. 6a). Pull the Cover out and down to fully access the Channel. Once accessories have been loaded, replace the End Support Cover and lock.

Intermittently check that all Screws and Bolts are sufficiently tightened whilst the Roof Racks are in use.

FAILURE TO FOLLOW THESE INSTRUCTIONS WILL VOID WARRANTY

Fig. 4a

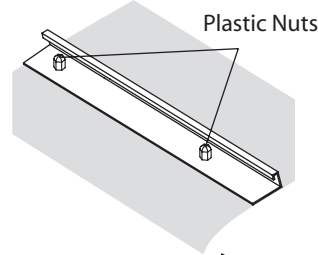


Fig. 4b

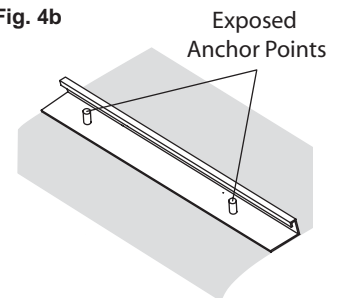


Fig. 4c

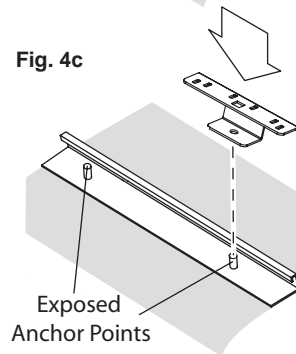


Fig. 4d

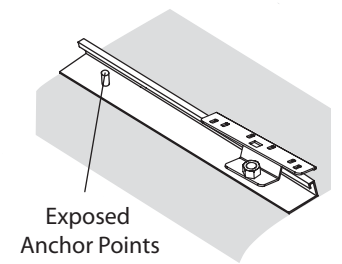


Fig. 5a

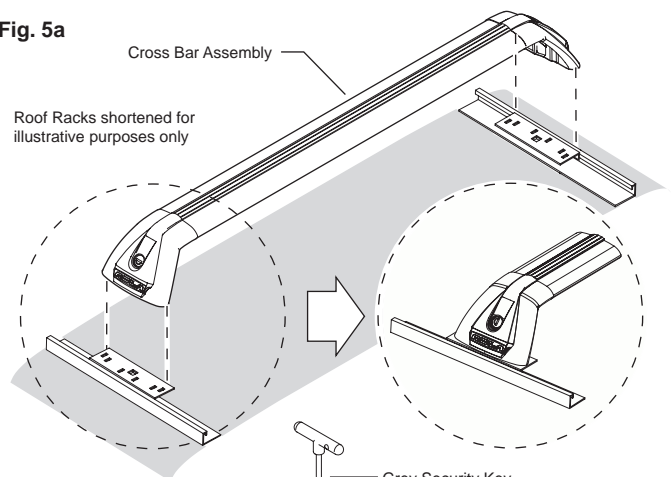


Fig. 5b

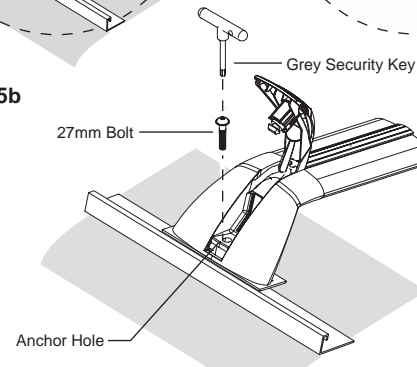
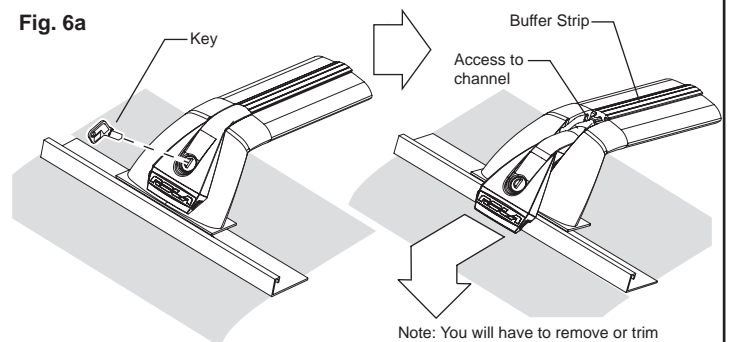


Fig. 6a



Note: You will have to remove or trim the Buffer Strip to mount accessories